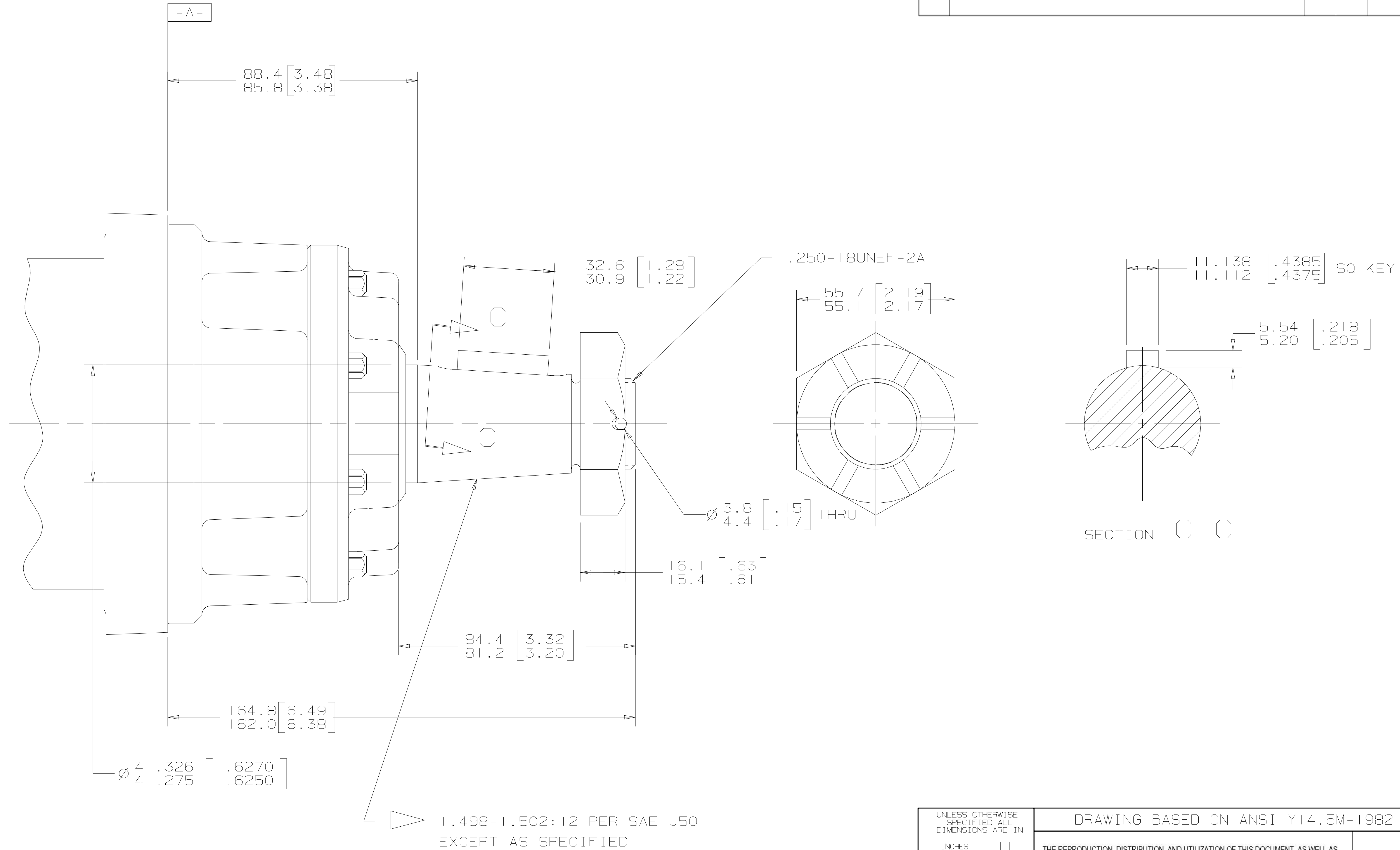



REV	DESCRIPTION	BY	CHK	DATE	ECN
A	ENGINEERING RELEASE	SDR		5/24/95	M13548
B	REVISED PICTORIALLY	RCB		11/6/97	30171
C	REVISED	AGJ		5-17-04	47918
D	REVISED	VJP		4-25-05	M64471A
E	-1) (4A) MOUNTING TYPE WAS "C" OR "D" -2) (4A) OUTPUT SHAFT WAS "02" OR "38"	SSD		1-24-07	0002527



NOTE  
 1 MOUNTING TYPE: OPTION AC OR AD  
 2 OUTPUT SHAFT: OPTION 02 OR 33

UNLESS OTHERWISE SPECIFIED ALL DIMENSIONS ARE IN		DRAWING BASED ON ANSI Y14.5M-1982	
INCHES <input type="checkbox"/>	MILLIMETERS <input checked="" type="checkbox"/>	THE REPRODUCTION, DISTRIBUTION, AND UTILIZATION OF THIS DOCUMENT, AS WELL AS THE COMMUNICATION OF ITS CONTENTS TO OTHERS WITHOUT EXPLICIT AUTHORIZATION IS PROHIBITED. OFFENDERS WILL BE HELD LIABLE FOR THE PAYMENT OF DAMAGES. ALL RIGHTS RESERVED IN THE EVENT OF THE GRANT OF A PATENT, UTILITY MODEL, OR DESIGN. (PER ISO 16016)	
TOLERANCES		 DRAWN S. RICHARDS BY/DATE 5/24/95 MATERIAL/HEAT TREAT CHECKED R. FLOR BY/DATE 6/2/95 ENGRG M. BERNSTROM BY/DATE 6/21/95 TITLE 4000 SERIES MOTOR SHAFT INSTALLATION METALLURGY BY/DATE	
.x ±----	.xx ±REF		
.xxx ±ONLY	UNSPECIFIED RADII ARE	NUMBER A-900-002 SCALE 1/1 SHEET 1 OF 1	
UNSPECIFIED DRAFT ANGLES ARE	UNSPECIFIED DRAFT ANGLES ARE	THIRD ANGLE PROJECTION DO NOT SCALE ARITHMETICAL AVERAGE	
DRAWING FORMAT CADD <input checked="" type="checkbox"/> MANUAL <input type="checkbox"/>			