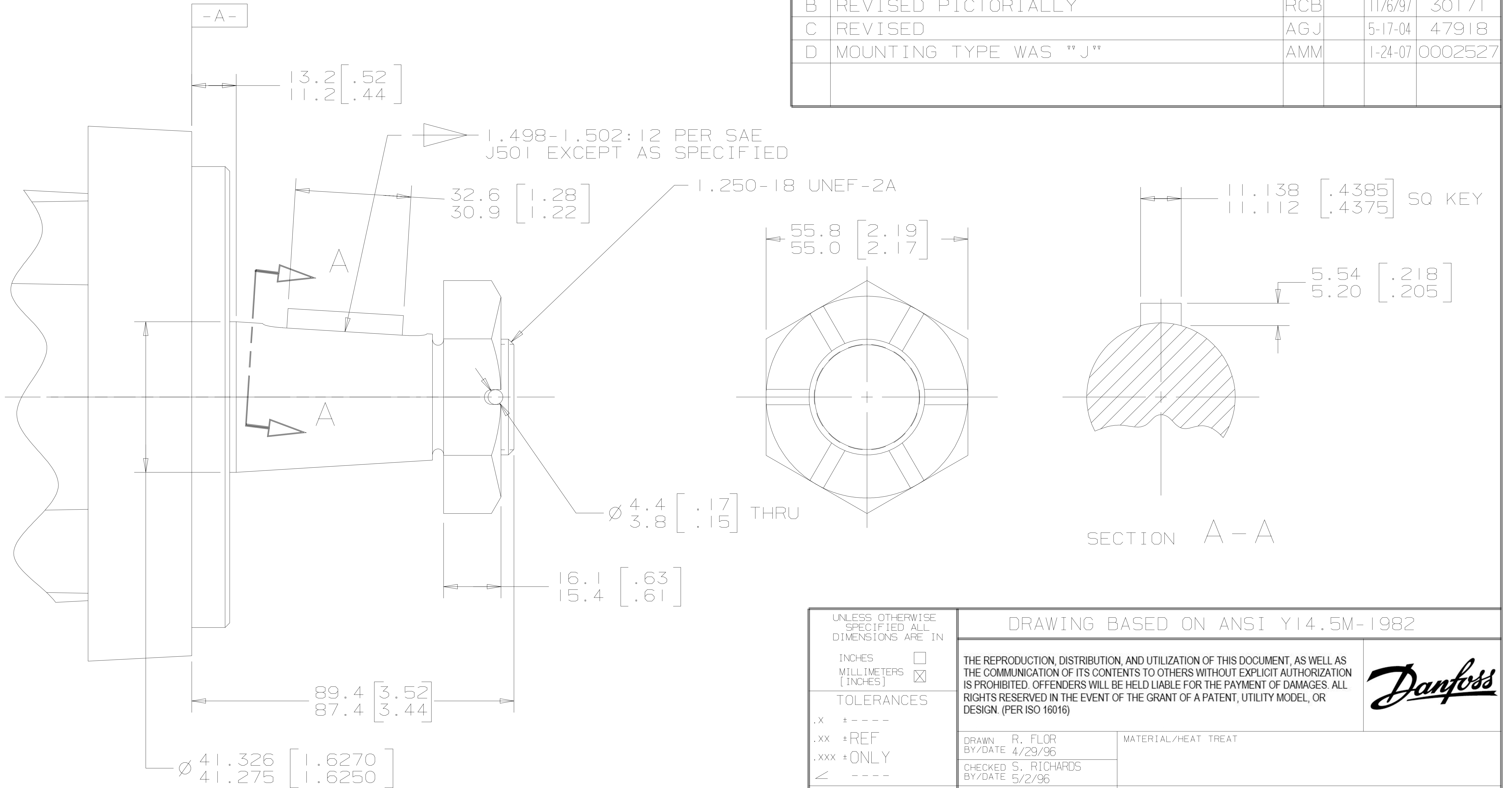


REV	DESCRIPTION	BY	CHK	DATE	ECN
A	ENGINEERING RELEASE	RAF		4/25/96	M15213A
B	REVISED PICTORIALY	RCB		11/6/97	30171
C	REVISED	AGJ		5-17-04	47918
D	MOUNTING TYPE WAS "J"	AMM		1-24-07	0002527



NOTE

- 1 MOUNTING TYPE: OPTION AJ
- 2 OUTPUT SHAFT: OPTION O2

UNLESS OTHERWISE SPECIFIED ALL DIMENSIONS ARE IN		DRAWING BASED ON ANSI Y14.5M-1982	
INCHES <input type="checkbox"/>	MILLIMETERS [INCHES] <input checked="" type="checkbox"/>	THE REPRODUCTION, DISTRIBUTION, AND UTILIZATION OF THIS DOCUMENT, AS WELL AS THE COMMUNICATION OF ITS CONTENTS TO OTHERS WITHOUT EXPLICIT AUTHORIZATION IS PROHIBITED. OFFENDERS WILL BE HELD LIABLE FOR THE PAYMENT OF DAMAGES. ALL RIGHTS RESERVED IN THE EVENT OF THE GRANT OF A PATENT, UTILITY MODEL, OR DESIGN. (PER ISO 16016)	
TOLERANCES		DRAWN R. FLOR BY/DATE 4/29/96 MATERIAL/HEAT TREAT	
.X ±----	.XX ±REF		
.XXX ±ONLY	< ----	CHECKED S. RICHARDS BY/DATE 5/2/96	TITLE 4000 SERIES MOTOR SHAFT INSTALLATION
UNSPECIFIED RADII ARE	ENGRG M. BERNSTROM BY/DATE 5/2/96	METALLURGY BY/DATE	
UNSPECIFIED DRAFT ANGLES ARE	THIRD ANGLE PROJECTION	MICROINCHES <input checked="" type="checkbox"/> MICROMETERS [MICROINCHES] <input type="checkbox"/>	NUMBER A-1096-002
DRAWING FORMAT CADD <input checked="" type="checkbox"/> MANUAL <input type="checkbox"/>	DO NOT SCALE	ARITHMETICAL AVERAGE <input checked="" type="checkbox"/>	SCALE 1/1 SHEET 1 OF 1

