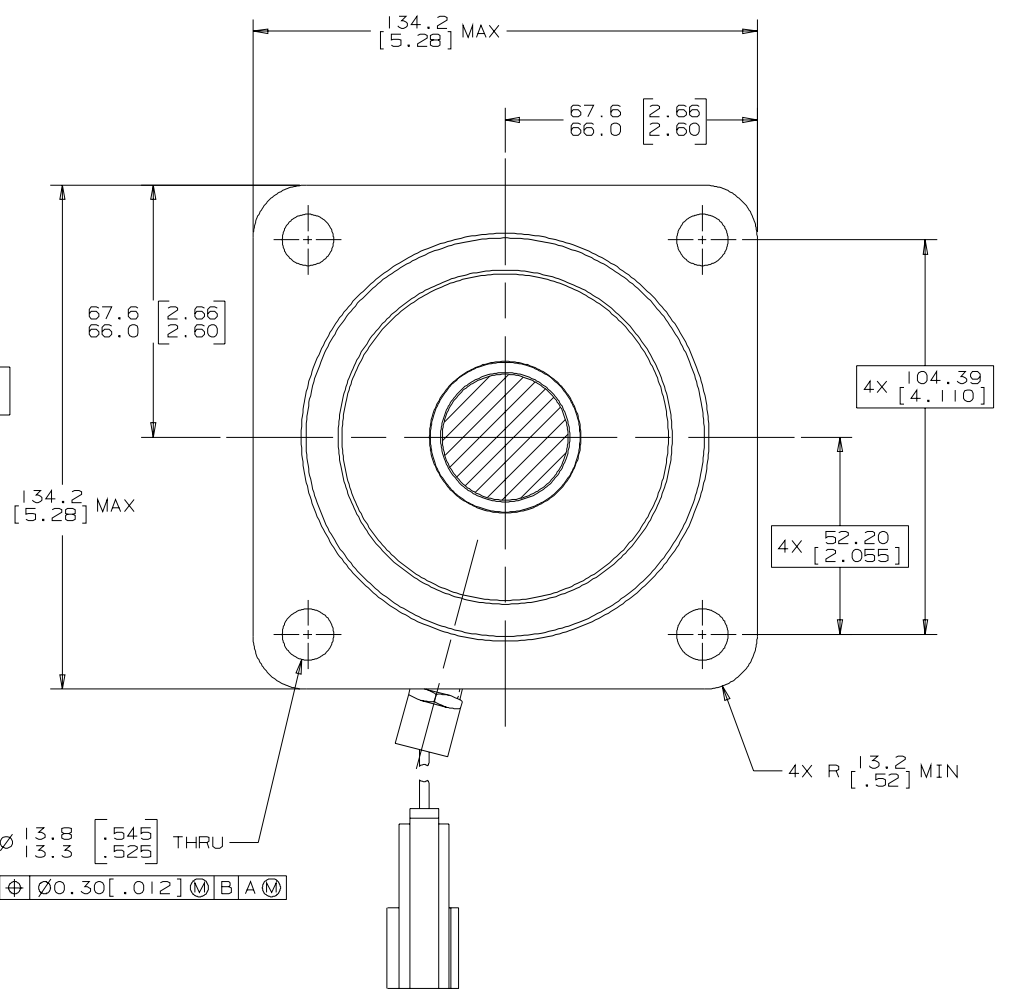
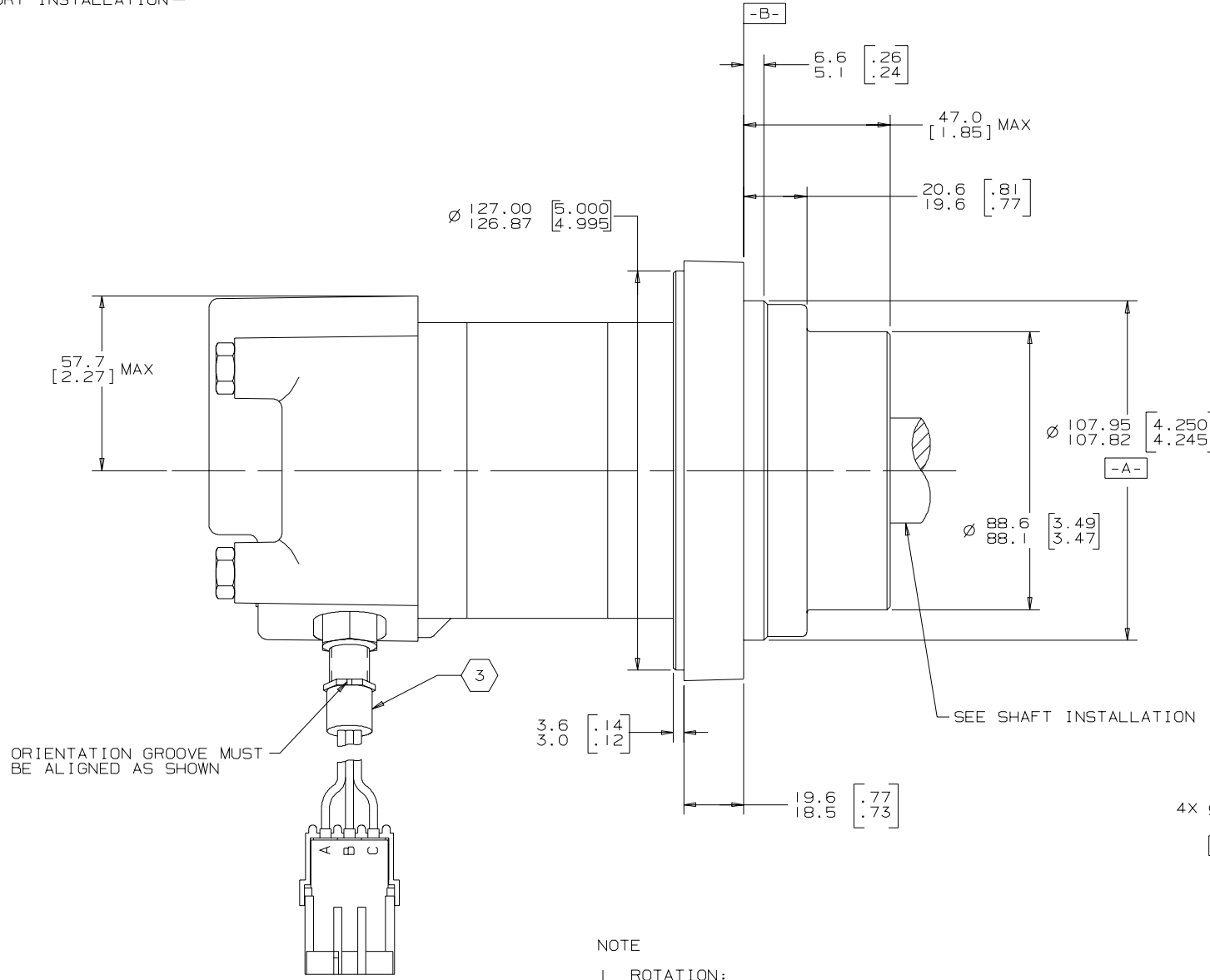
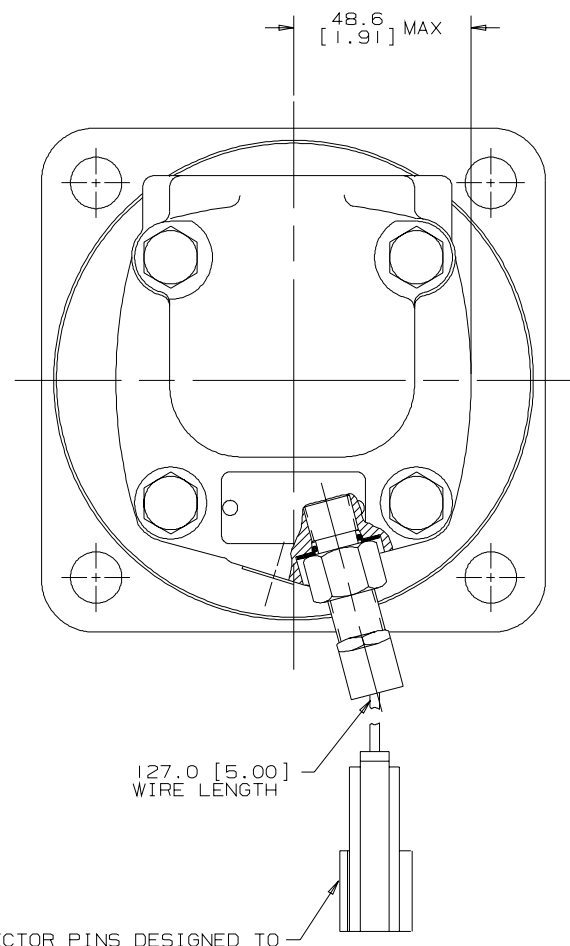
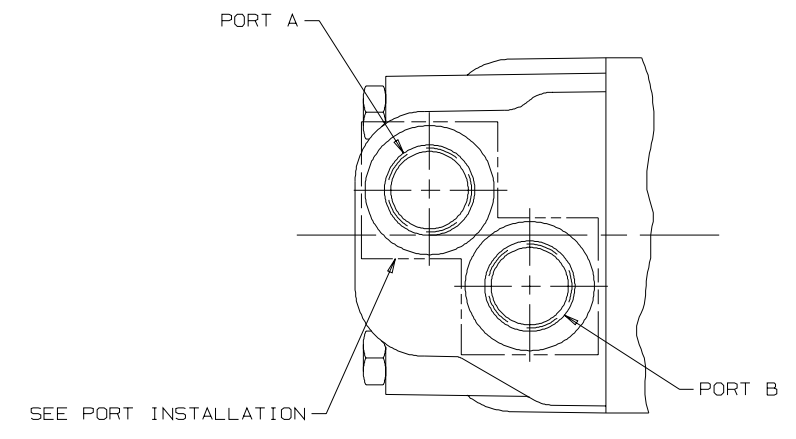


REV	DESCRIPTION	BY	CHK	DATE	ECN
A	ENGINEERING RELEASE	AGJ		7-15-94	M12127
B	(1D) ECN M12127 WAS M12145	JMM		11-2-94	26076
C	REVISED SPEED SENSOR	SDR		8/20/97	28523
D	(6B) ADDED NOTE "ORIENTATION GROOVE..."	AGJ		10-7-99	33309
E	REVISED PICTORIALY	MLL		3-28-01	36655
F	(4A) NOTE 2 WAS MOUNTING TYPE: P	AGJ		5-13-02	41044
G	(4B) Ø 88.6/88.1 [3.49/3.47] WAS Ø 89.7/88.1 [3.53/3.47]	MLL		10-22-01	39485



CONNECTOR PINS DESIGNED TO MATE WITH WEATHER PACK CONNECTOR P/N 12015792 TERMINAL P/N 12089040 CONTACT RATINGS: 5 AMPS MAX AT 12 VOLTS (A=POWER, B=SIGNAL, C=COMMON)

NOTE
 1 ROTATION:
 STANDARD: WHEN FACING SHAFT END OF MOTOR, SHAFT TO ROTATE: CLOCKWISE WHEN PORT "A" IS PRESSURIZED COUNTERCLOCKWISE WHEN PORT "B" IS PRESSURIZED
 REVERSE: WHEN FACING SHAFT END OF MOTOR, SHAFT TO ROTATE: CLOCKWISE WHEN PORT "B" IS PRESSURIZED COUNTERCLOCKWISE WHEN PORT "A" IS PRESSURIZED
 2 MOUNTING TYPE: AP
 WHEEL, 4 BOLT: Ø 108.0 [4.25] PILOT Ø 13.59 [0.535] HOLES ON Ø 147.6 [5.81] BOLT CIRCLE Ø 127.0 [5.00] REAR MOUNT PILOT, SPIGOT REDUCED TO 88.9 [3.50] DIA. BY 25.4 [1.00] DEPTH
 3 SENSOR OUTPUT WILL BE 30 ELECTRICAL PULSES PER SHAFT REVOLUTION SUPPLY VOLTAGE: 8 TO 28 Vdc OUTPUT VOLTAGE: LOW .5 Vdc AT 10 mA; HIGH Vs-1 Vdc

G K S

UNLESS OTHERWISE SPECIFIED ALL DIMENSIONS ARE IN		DRAWING BASED ON ANSI Y14.5M-1982	
INCHES <input type="checkbox"/>	MILLIMETERS <input checked="" type="checkbox"/>	THE REPRODUCTION, DISTRIBUTION, AND UTILIZATION OF THIS DOCUMENT, AS WELL AS THE COMBINATION OF ITS CONTENTS TO OTHERS WITHOUT EXPLICIT AUTHORIZATION IS PROHIBITED. OFFENDERS WILL BE HELD LIABLE FOR THE PAYMENT OF DAMAGES. ALL RIGHTS RESERVED IN THE EVENT OF THE GRANT OF A PATENT, UTILITY MODEL, OR DESIGN. (PER ISO 10010)	
TOLERANCES		MATERIAL/HEAT TREAT	
.x	----	DRAWN BY/DATE AGJ 7-19-94	TITLE
.xx	----	CHECKED SDR 7-26-94	2000 SERIES MOTOR INSTALL
.xxx	----	ENGRG BY/DATE MLB 7-26-94	NUMBER
<	----	METALLURGY BY/DATE	A-800-004
UNSPECIFIED RADI ARE	----	THIRD ANGLE PROJECTION	SCALE 1/1 SHEET 1 OF 1
UNSPECIFIED DRAFT ANGLES ARE	----	DO NOT SCALE	
DRAWING FORMAT CAD <input checked="" type="checkbox"/> MANUAL <input type="checkbox"/>			