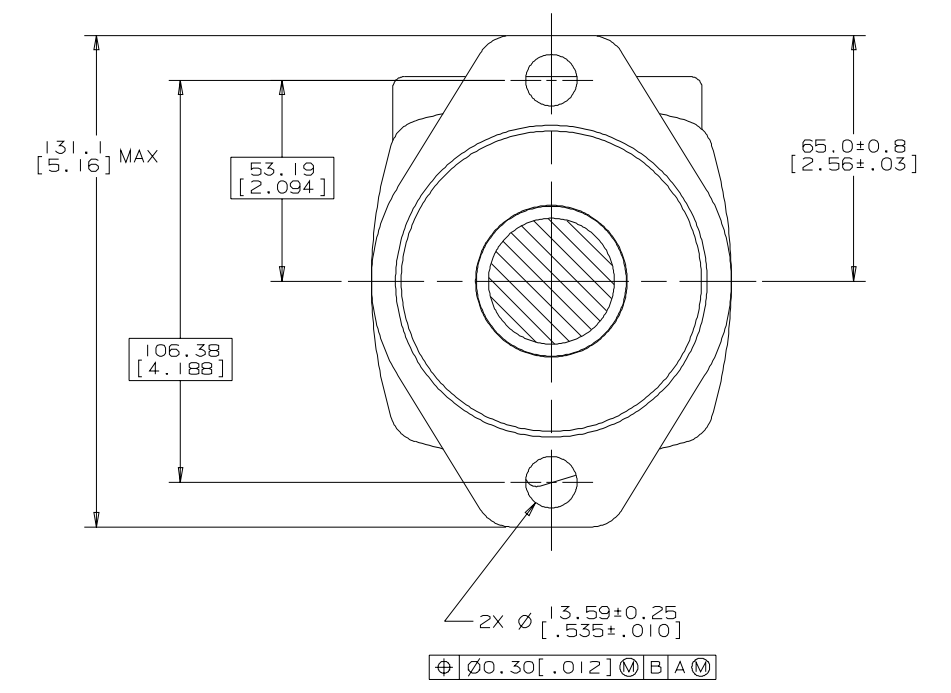
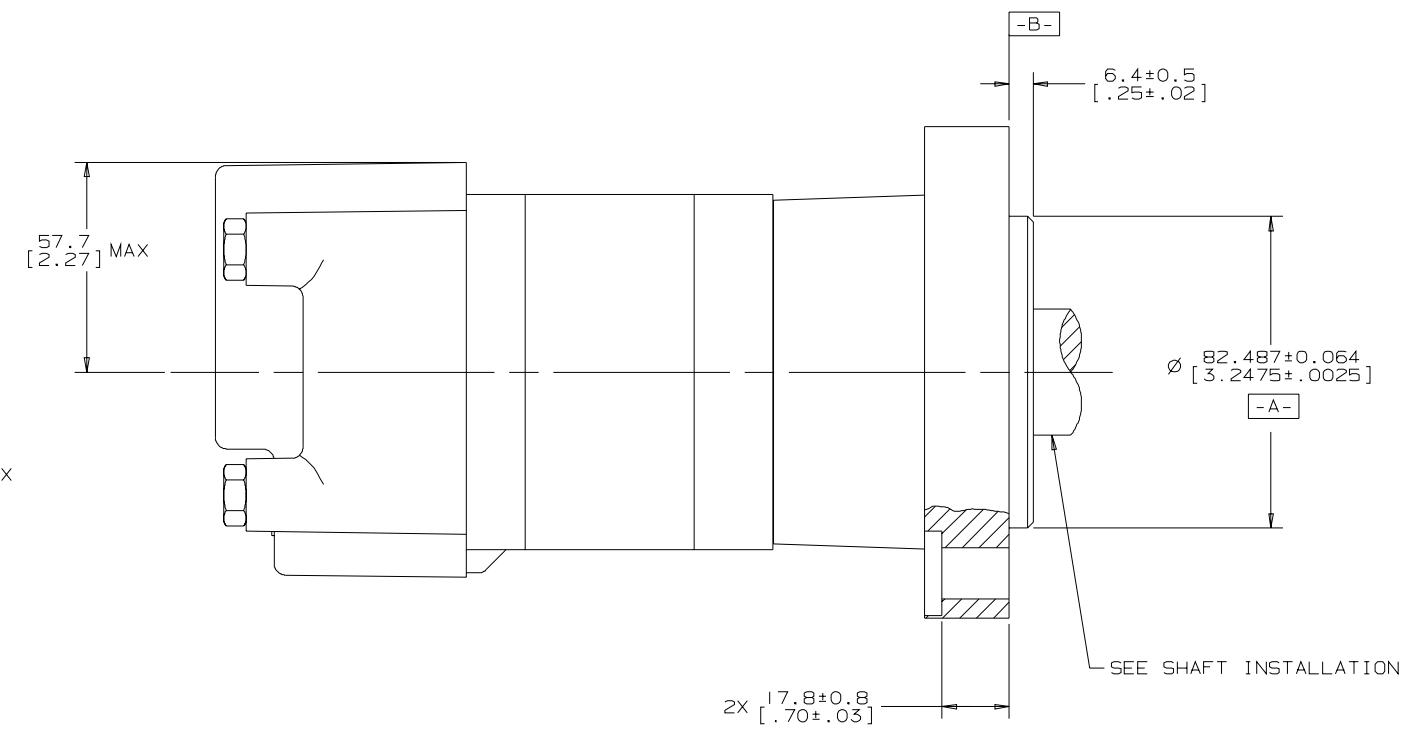
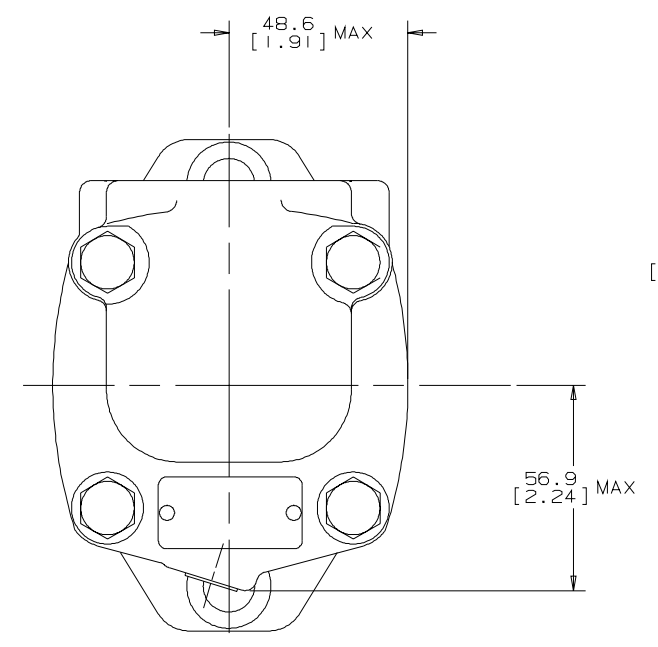
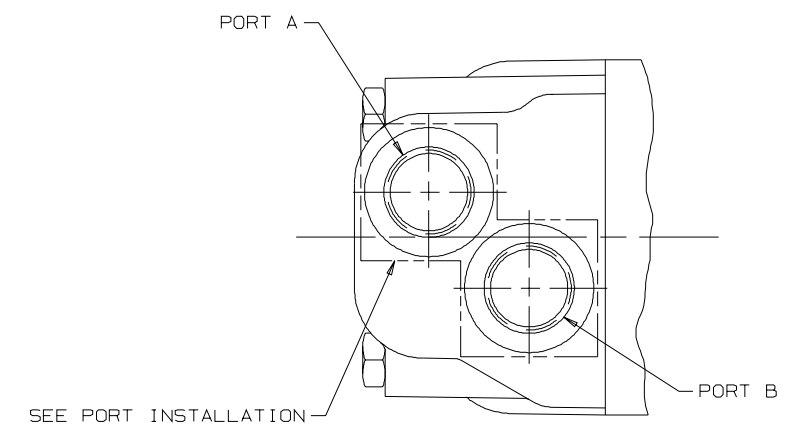


SYM	REVISION	BY	DATE	ECN
A	ENGINEERING RELEASE	AGJ	4-7-93	M8051
B	REVISED	AGJ	5-26-93	22833
C	(4A)NOTE 2 WAS MOUNTING TYPE: C	AGJ	5/13/02	41044



NOTE

1 ROTATION:
 STANDARD: WHEN FACING SHAFT END OF MOTOR, SHAFT TO ROTATE;
 CLOCKWISE WHEN PORT "A" IS PRESSURIZED
 COUNTERCLOCKWISE WHEN PORT "B" IS PRESSURIZED

REVERSE: WHEN FACING SHAFT END OF MOTOR, SHAFT TO ROTATE;
 CLOCKWISE WHEN PORT "B" IS PRESSURIZED
 COUNTERCLOCKWISE WHEN PORT "A" IS PRESSURIZED

2 MOUNTING TYPE: AC
 STANDARD, 2 BOLT: Ø 82.6 [3.25] PILOT
 Ø 13.59 [.535] HOLES ON Ø 106.4 [4.19]
 BOLT CIRCLE "SAE A"

G K S

UNLESS OTHERWISE SPECIFIED ALL DIMENSIONS ARE IN		DRAWING BASED ON ANSI Y14.5M-1982	
INCHES <input type="checkbox"/>	MILLIMETERS <input checked="" type="checkbox"/>	THE REPRODUCTION, DISTRIBUTION, AND UTILIZATION OF THIS DOCUMENT, AS WELL AS THE COMBINATION OF ITS CONTENTS TO OTHERS WITHOUT EXPLICIT AUTHORIZATION IS PROHIBITED. OFFENDERS WILL BE HELD LIABLE FOR THE PAYMENT OF DAMAGES. ALL RIGHTS RESERVED IN THE EVENT OF THE GRANT OF A PATENT, UTILITY MODEL, OR DESIGN (PER ISO 10110)	
TOLERANCES			
.x	----	DRAWN BY/DATE	A. JOHNSON 3-18-93
.xx	+REF	CHECKED BY/DATE	S. RICHARDS 4-8-93
.xxx	+ONLY	ENGR BY/DATE	M. BERNSTROM 4-8-93
----	----	METALLURGY BY/DATE	----
UNSPECIFIED RADIi ARE	----	TITLE	2000 SERIES MOTOR INSTALL
UNSPECIFIED DRAFT ANGLES ARE	----	THIRD ANGLE PROJECTION	
DRAWING FORMAT CADD <input type="checkbox"/> MANUAL <input checked="" type="checkbox"/>	DO NOT SCALE	WIDRINCHES <input type="checkbox"/> MILLIMETERS <input checked="" type="checkbox"/> NUMBER	A-665-004
		ARITHMETICAL AVERAGE	SCALE 1/1 SHEET 1 OF 1