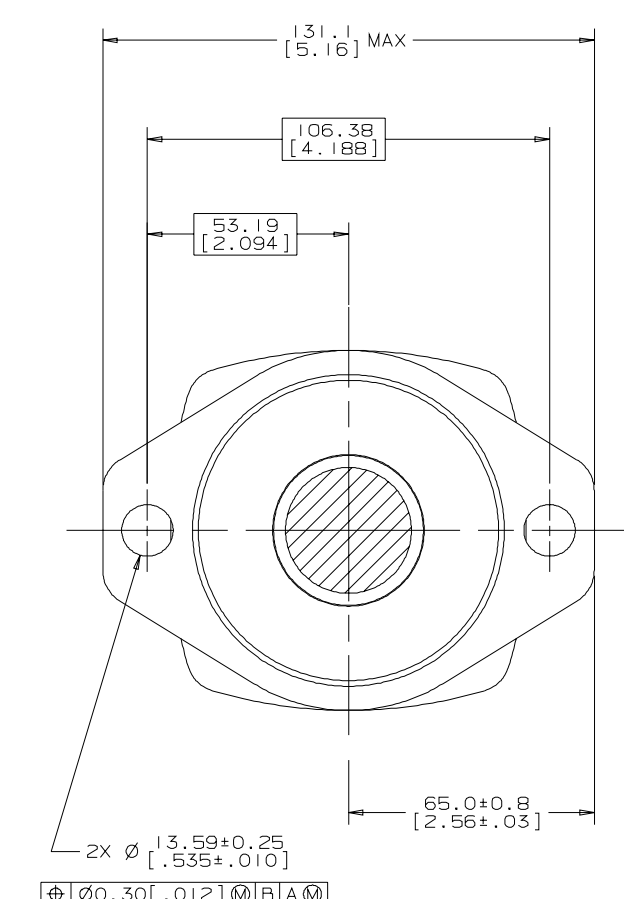
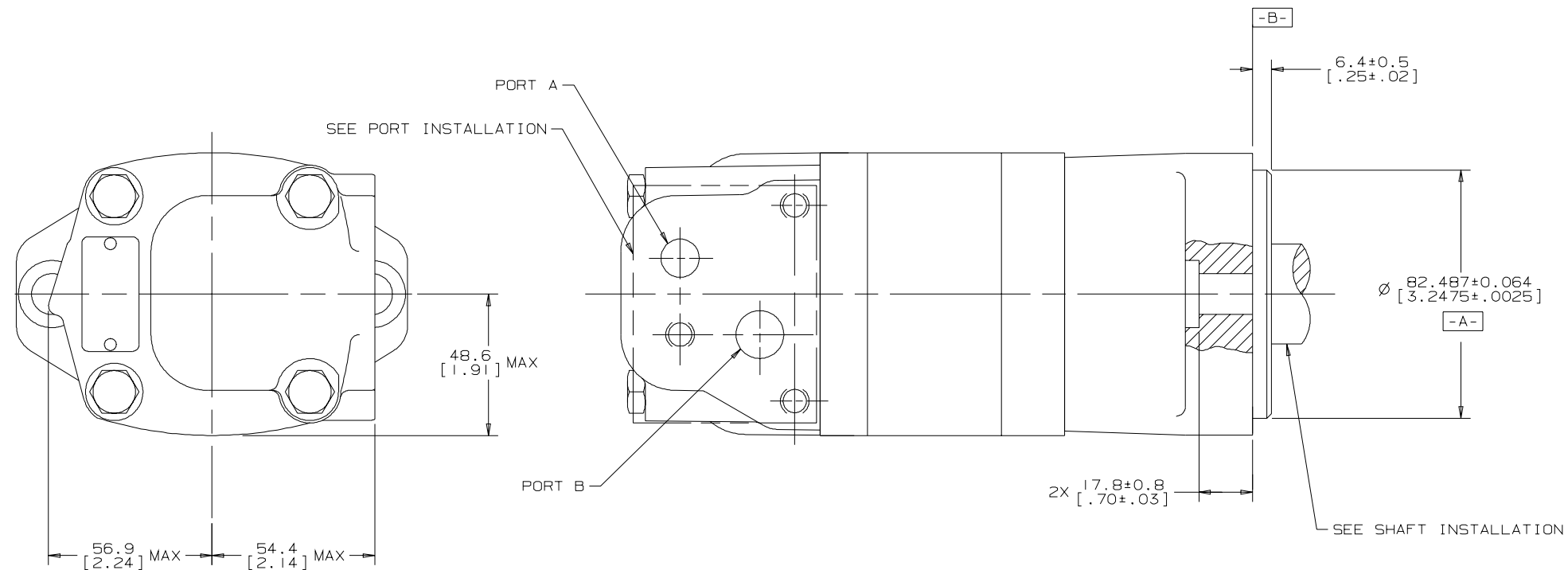


SYM	REVISION	BY	DATE	ECN
A	ENGINEERING RELEASE	AGJ	5-26-93	22833
B	(4A)NOTE 2 WAS MOUNTING TYPE: C	AGJ	5/13/02	41044



NOTE

1 ROTATION:
 STANDARD: WHEN FACING SHAFT END OF MOTOR, SHAFT TO ROTATE;
 CLOCKWISE WHEN PORT "A" IS PRESSURIZED
 COUNTERCLOCKWISE WHEN PORT "B" IS PRESSURIZED

REVERSE: WHEN FACING SHAFT END OF MOTOR, SHAFT TO ROTATE;
 COUNTERCLOCKWISE WHEN PORT "B" IS PRESSURIZED
 CLOCKWISE WHEN PORT "A" IS PRESSURIZED

2 MOUNTING TYPE: AC
 STANDARD, 2 BOLT: Ø 82.6 [3.25] PILOT
 Ø 13.59 [.535] HOLES ON Ø 106.4 [4.19]
 BOLT CIRCLE "SAE A"

G K S

UNLESS OTHERWISE SPECIFIED ALL DIMENSIONS ARE IN		DRAWING BASED ON ANSI Y14.5M-1982	
INCHES	<input type="checkbox"/>	THE REPRODUCTION, DISTRIBUTION, AND UTILIZATION OF THIS DOCUMENT, AS WELL AS THE COMBINATION OF ITS CONTENTS TO OTHERS WITHOUT EXPLICIT AUTHORIZATION IS PROHIBITED. OFFENDERS WILL BE HELD LIABLE FOR THE PAYMENT OF DAMAGES. ALL RIGHTS RESERVED IN THE EVENT OF THE GRANT OF A PATENT, UTILITY MODEL, OR DESIGN (PER ISO 10010)	
MILLIMETERS	<input checked="" type="checkbox"/>		
TOLERANCES			
.X	----	DRAWN BY/DATE	RAF 3/11/93
.XX	+REF	CHECKED BY/DATE	SDR 6-24-93
.XXX	+ONLY	ENGRG BY/DATE	SJZ 6-28-93
<	----	METALLURGY BY/DATE	----
UNSPECIFIED RADI	ARE	TITLE	2000 SERIES MOTOR INSTALL
UNSPECIFIED DRAFT ANGLES	ARE	WIDRINCHES	NUMBER
DRAWING FORMAT	CADD <input type="checkbox"/> MANUAL <input type="checkbox"/>	THIRD ANGLE PROJECTION	DO NOT SCALE
ARITHMETICAL AVERAGE	<input checked="" type="checkbox"/>	SCALE	1/1
		SHEET	1 OF 1