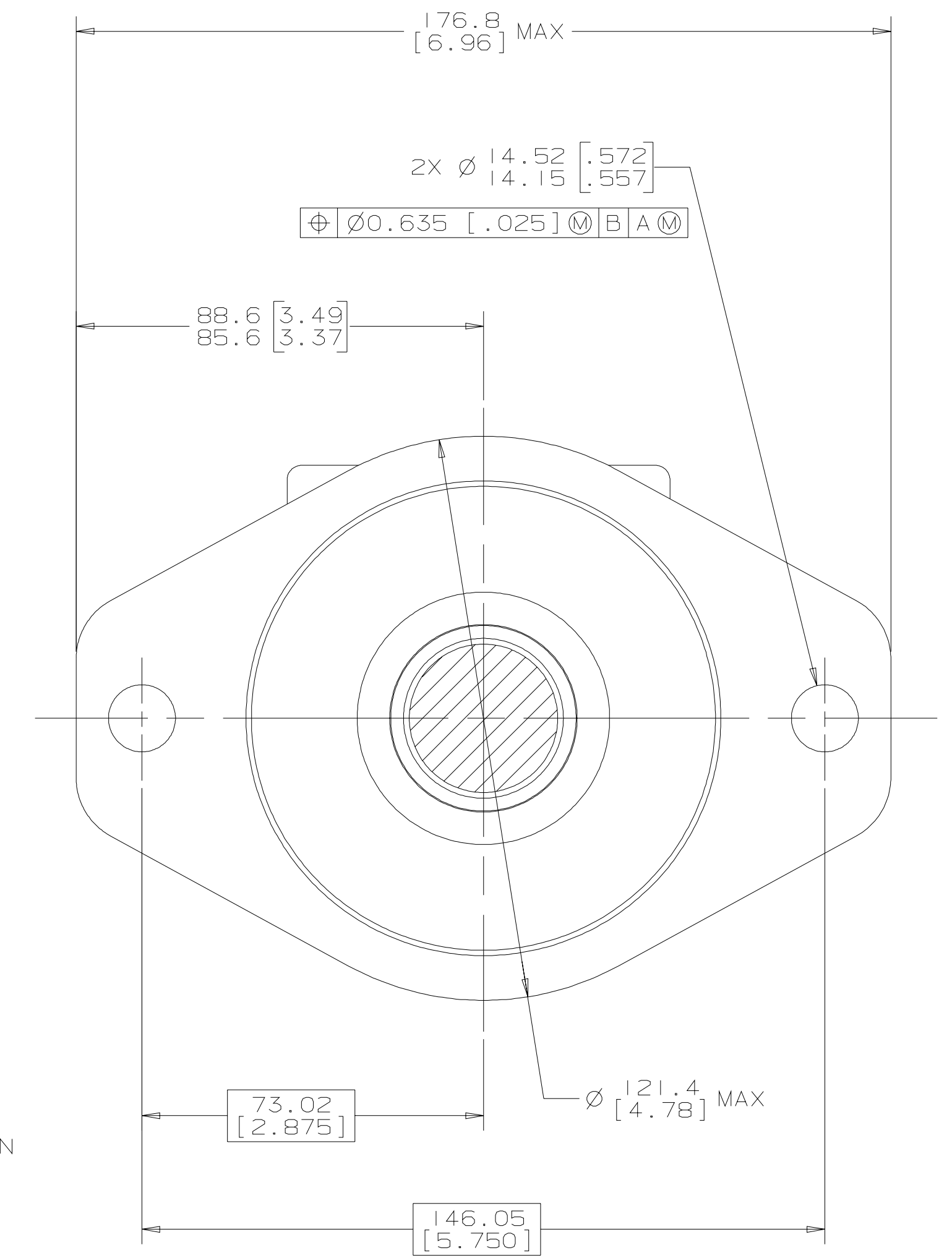
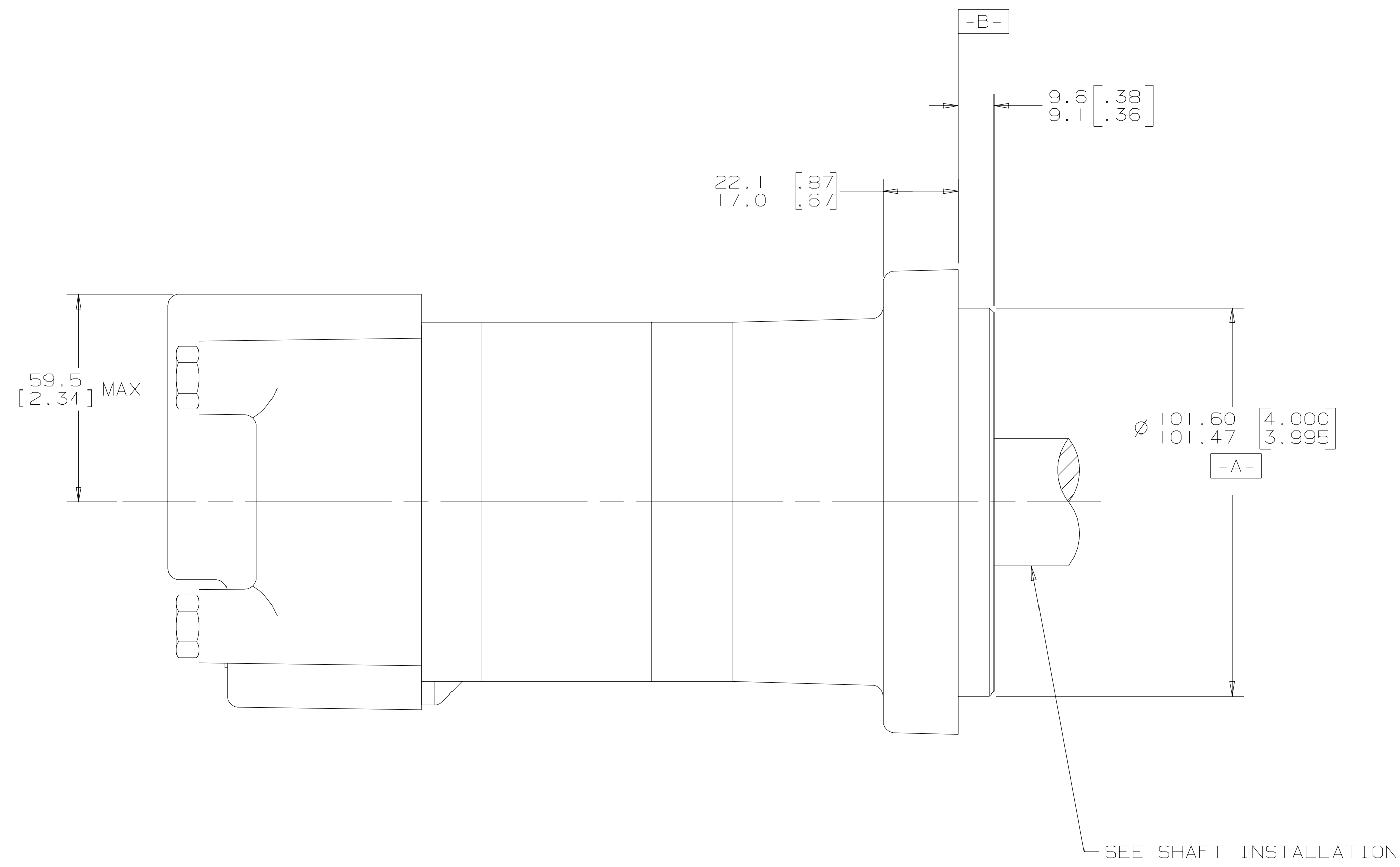
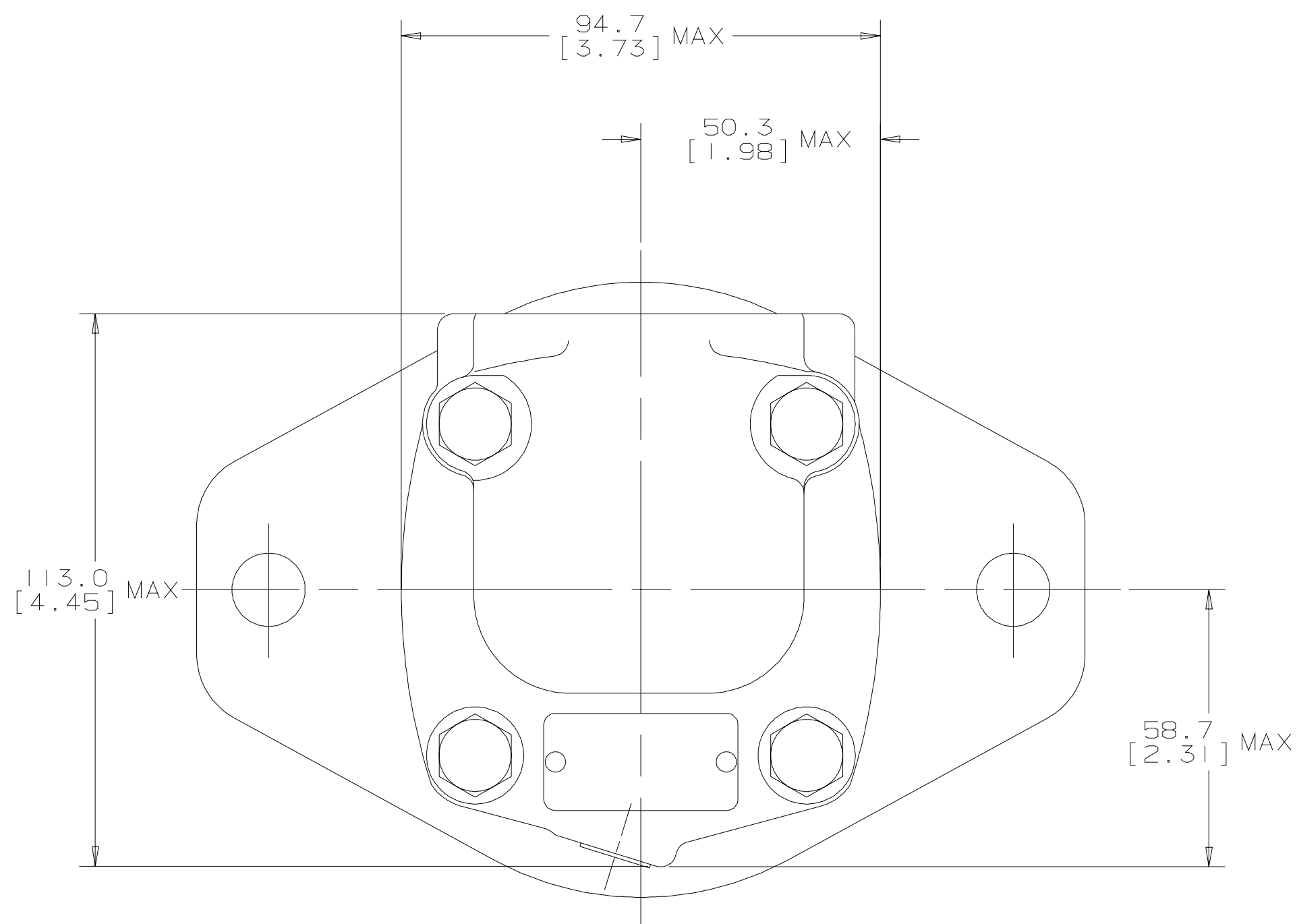
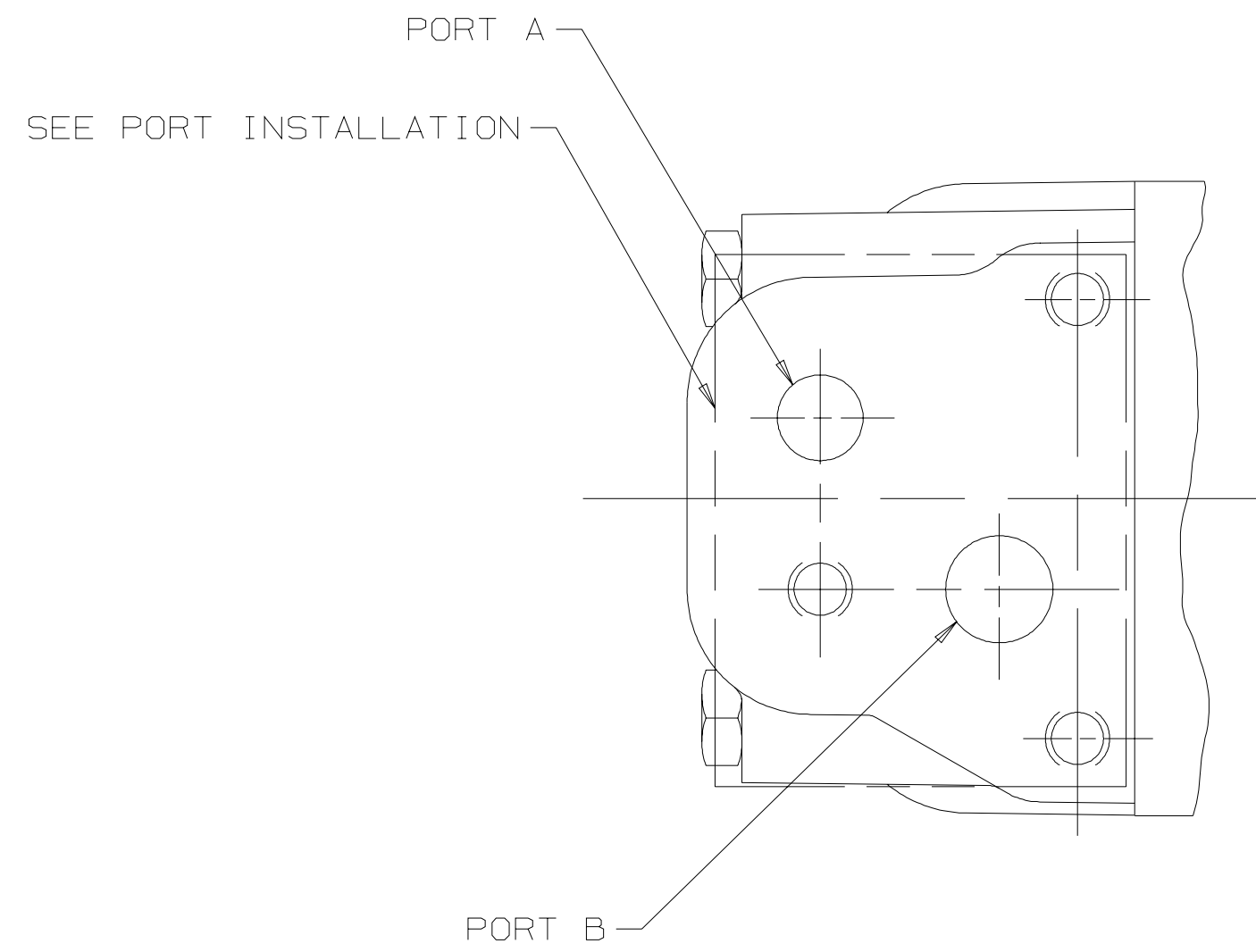


SYM	REVISION	BY	DATE	ECN
A	ENGINEERING RELEASE	AGJ	5-26-93	22833
C	REVISED FOR ASSY STACK UP	SKS	8-27-09	M76786



NOTE

- ROTATION:
STANDARD: WHEN FACING SHAFT END OF MOTOR, SHAFT TO ROTATE;
CLOCKWISE WHEN PORT "A" IS PRESSURIZED
COUNTERCLOCKWISE WHEN PORT "B" IS PRESSURIZED

REVERSE: WHEN FACING SHAFT END OF MOTOR, SHAFT TO ROTATE;
CLOCKWISE WHEN PORT "B" IS PRESSURIZED
COUNTERCLOCKWISE WHEN PORT "A" IS PRESSURIZED
- MOUNTING TYPE: AF
STANDARD, 2 BOLT: $\varnothing 101.6 [4.00]$ PILOT
 $\varnothing 14.35 [0.565]$ HOLES ON $\varnothing 146.0 [5.75]$
BOLT CIRCLE "SAE B"

UNLESS OTHERWISE SPECIFIED ALL DIMENSIONS ARE IN		DRAWING BASED ON ANSI Y14.5M-1982	
INCHES <input type="checkbox"/>	MILLIMETERS <input checked="" type="checkbox"/>	THE REPRODUCTION, DISTRIBUTION, AND UTILIZATION OF THIS DOCUMENT, AS WELL AS THE COMMUNICATION OF ITS CONTENTS TO OTHERS WITHOUT EXPLICIT AUTHORIZATION IS PROHIBITED. OFFENDERS WILL BE HELD LIABLE FOR THE PAYMENT OF DAMAGES. ALL RIGHTS RESERVED IN THE EVENT OF THE GRANT OF A PATENT, UTILITY MODEL, OR DESIGN. (PER ISO 16016)	
TOLERANCES			
.XX +REF	.XXX +ONLY		
DRWN BY/DATE	A. JOHNSON 3-2-93	MATERIAL/HEAT TREAT	
CHECKED BY/DATE	SDR 6-24-93	TITLE	
ENGRG BY/DATE	SJZ 6-28-93	2000 SERIES MOTOR INSTALL	
UNSPECIFIED RADII ARE		METALLURGY BY/DATE	
UNSPECIFIED DRAFT ANGLES ARE		THIRD ANGLE PROJECTION	NUMBER
DRAWING FORMAT	MANUAL <input checked="" type="checkbox"/>	DO NOT SCALE	ARTHEMETICAL AVERAGE
		SCALE 1/1	SHEET 1 OF 1