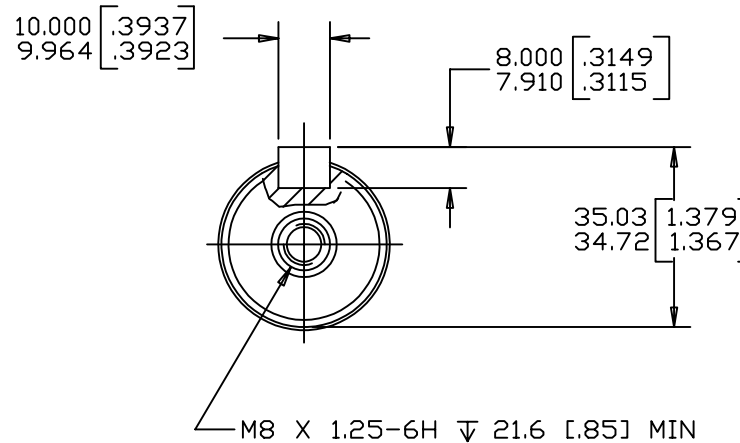
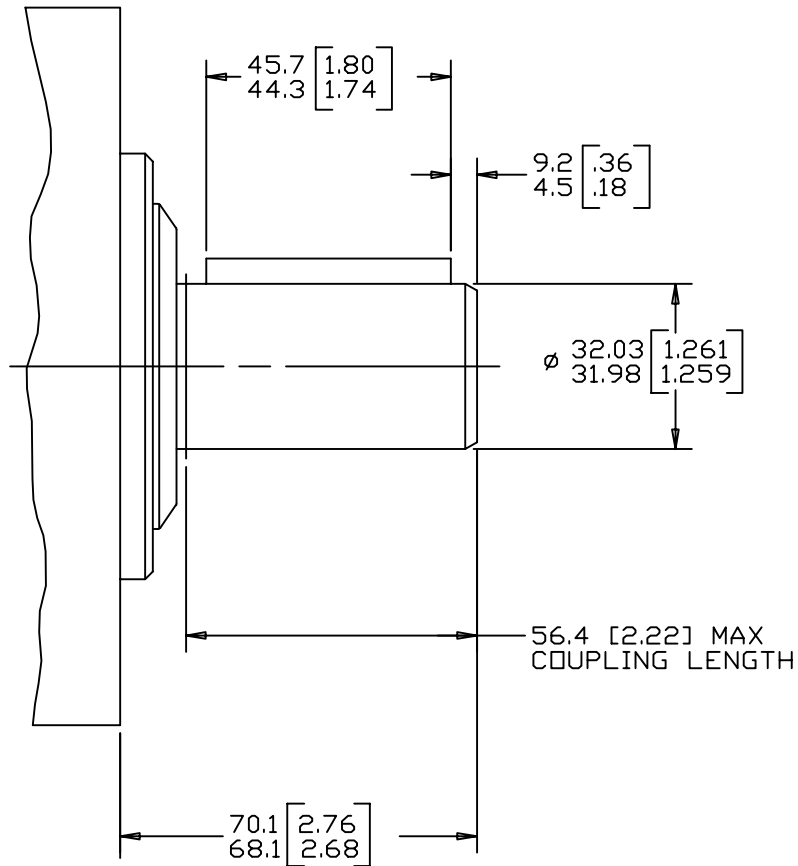


REV	DESCRIPTION	BY	CHK	DATE	ECN
A	ENGINEERING RELEASE	JMM		1-4-95	M12827
B	ADDED SHAFT OPTION "23" TO NOTE 2	SMM		12-18-01	39988
C	NOTE 1 WAS MOUNTING TYPE: OPTION H	AGJ		5-13-02	41044
D	70.1/70.0 [2.76/2.68] WAS 70.3/70.0 [2.77/2.68]	AGJ		5-17-04	47918
E	NOTE 2 WAS OUTPUT SHAFT: OPTION 23 & 30	PM		4-4-06	54522
F	-1) 32.03/31.98 [1.261/1.259] WAS 32.017/31.991 [1.2605/1.2595] -2) REMOVED [-B]-3) 70.1/68.1 [2.76/2.68] WAS 70.1/70.0 [2.76/2.68]	CSG	SSD	6-17-10	M79393



REVIEWED FOR CLASSIFICATION PER ESP-042

NOTE

- 1 MOUNTING TYPE: OPTION AH
- 2 OUTPUT SHAFT: OPTION 16 & 22

UNLESS OTHERWISE SPECIFIED ALL DIMENSIONS ARE IN INCHES <input type="checkbox"/> MILLIMETERS <input checked="" type="checkbox"/> (INCHES)	DRAWING BASED ON ANSI Y14.5M-1982		
	THE REPRODUCTION, DISTRIBUTION, AND UTILIZATION OF THIS DOCUMENT, AS WELL AS THE COMMUNICATION OF ITS CONTENTS TO OTHERS WITHOUT EXPLICIT AUTHORIZATION IS PROHIBITED. OFFENDERS WILL BE HELD LIABLE FOR THE PAYMENT OF DAMAGES. ALL RIGHTS RESERVED IN THE EVENT OF THE GRANT OF A PATENT, UTILITY MODEL, OR DESIGN. (PER ISO 16016)		
TOLERANCES .x ± ---- .xx ± REF .xxx ± ONLY ∠ ± ----	DRAWN BY/DATE JMM 01-04-95	MATERIAL/HEAT TREAT	
UNSPECIFIED RADII ARE ----	CHECKED BY/DATE RAF 01-11-95	TITLE 2000 SERIES MOTOR SHAFT INSTALLATION	
UNSPECIFIED DRAFT ANGLES ARE ----	ENGRG BY/DATE MLB 03-29-01	MICROINCHES <input type="checkbox"/> MICROMETERS <input type="checkbox"/> (MICROINCHES)	NUMBER A-687-033
B SIZE	THIRD ANGLE PROJECTION 	ARITHMETICAL AVERAGE <input checked="" type="checkbox"/>	SCALE 1/1 SHEET 1 OF 1