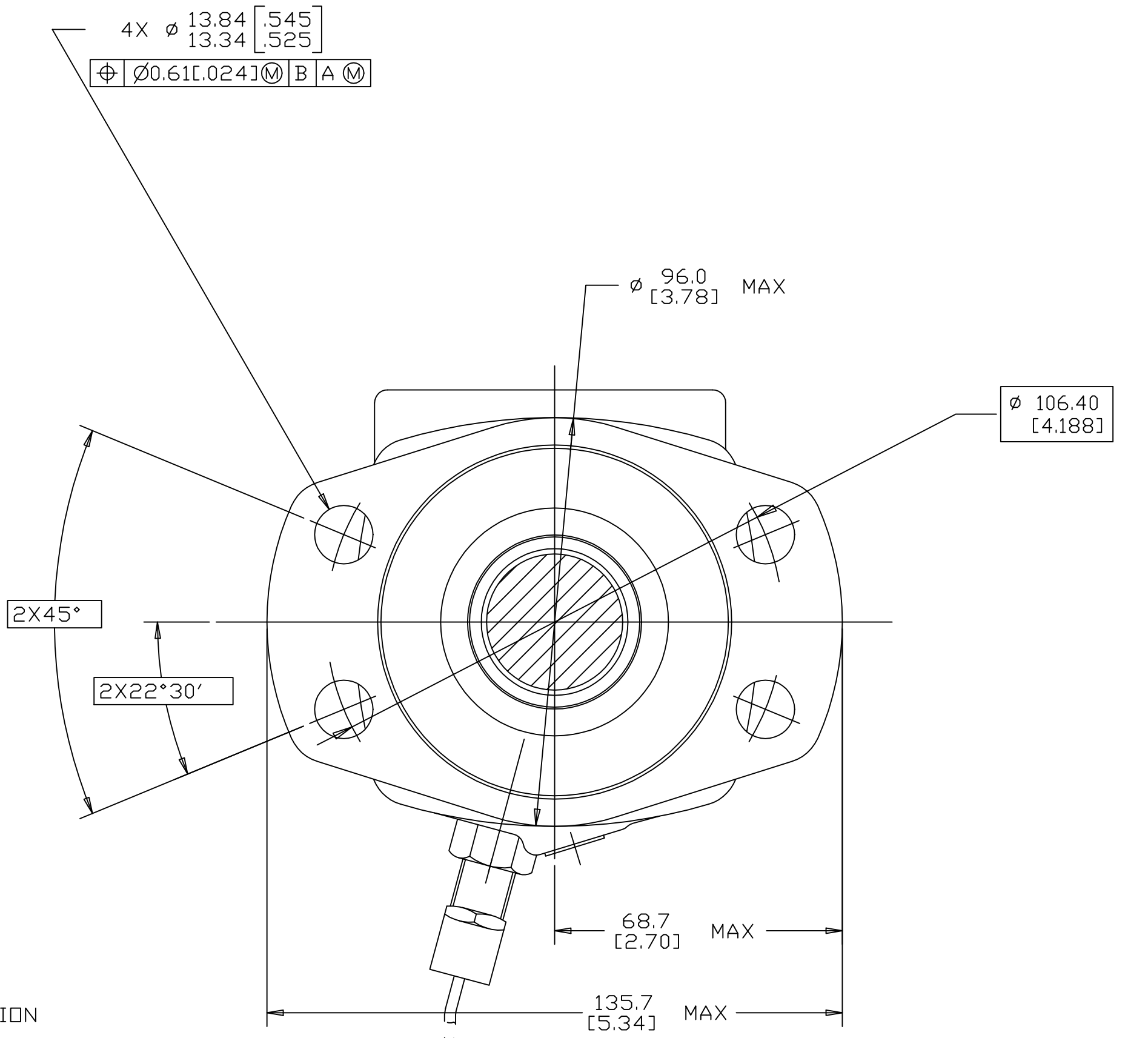
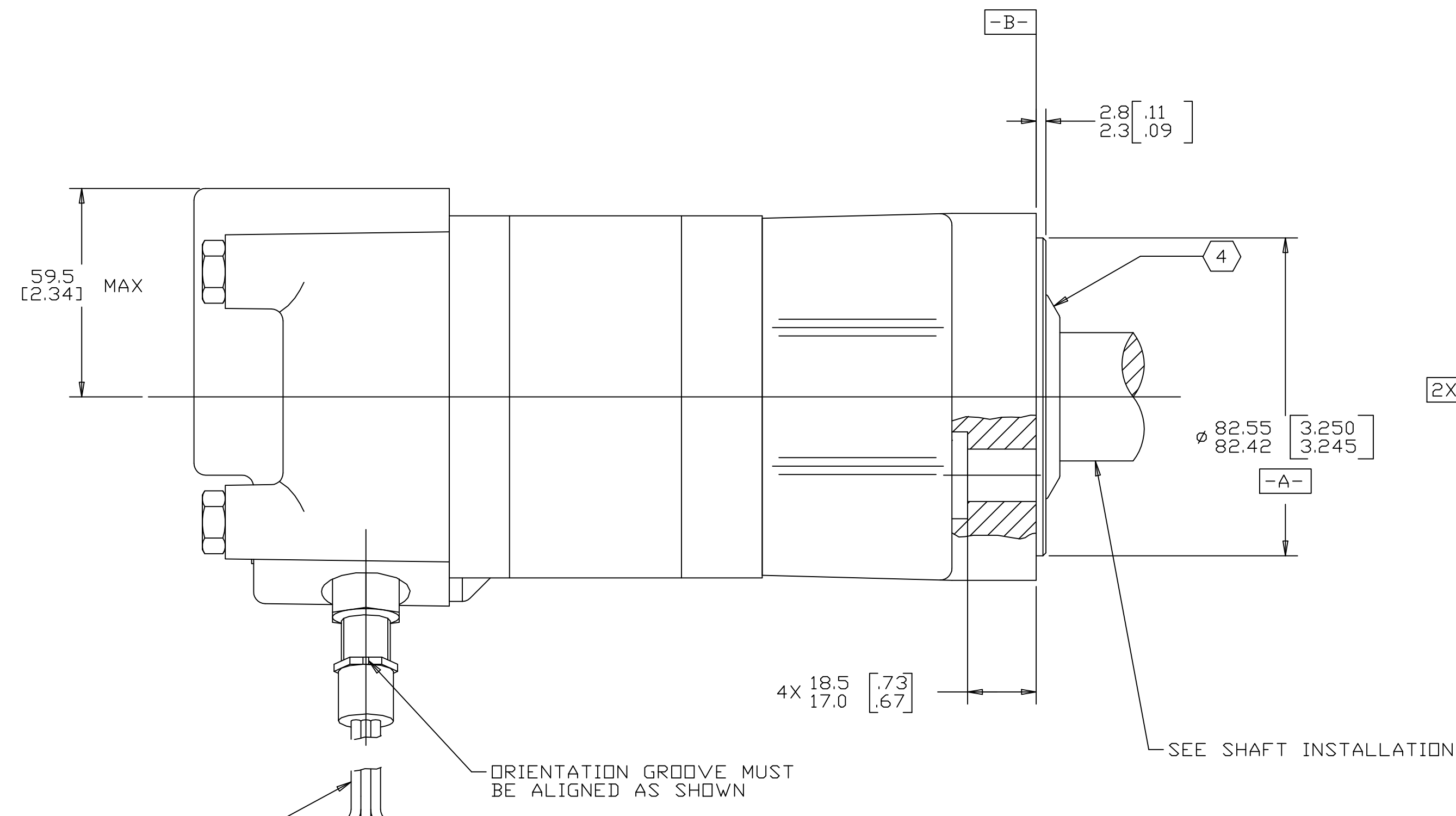
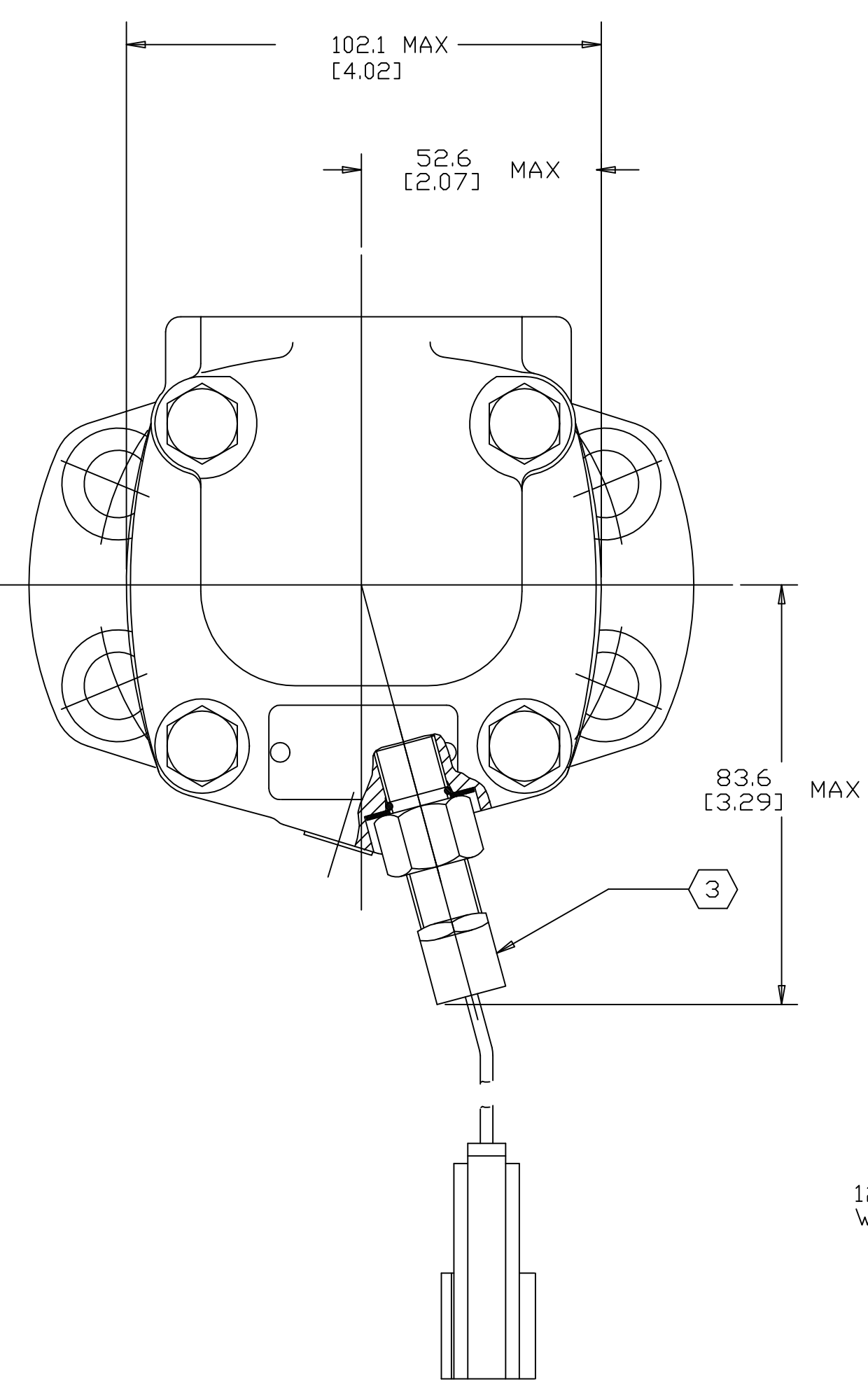
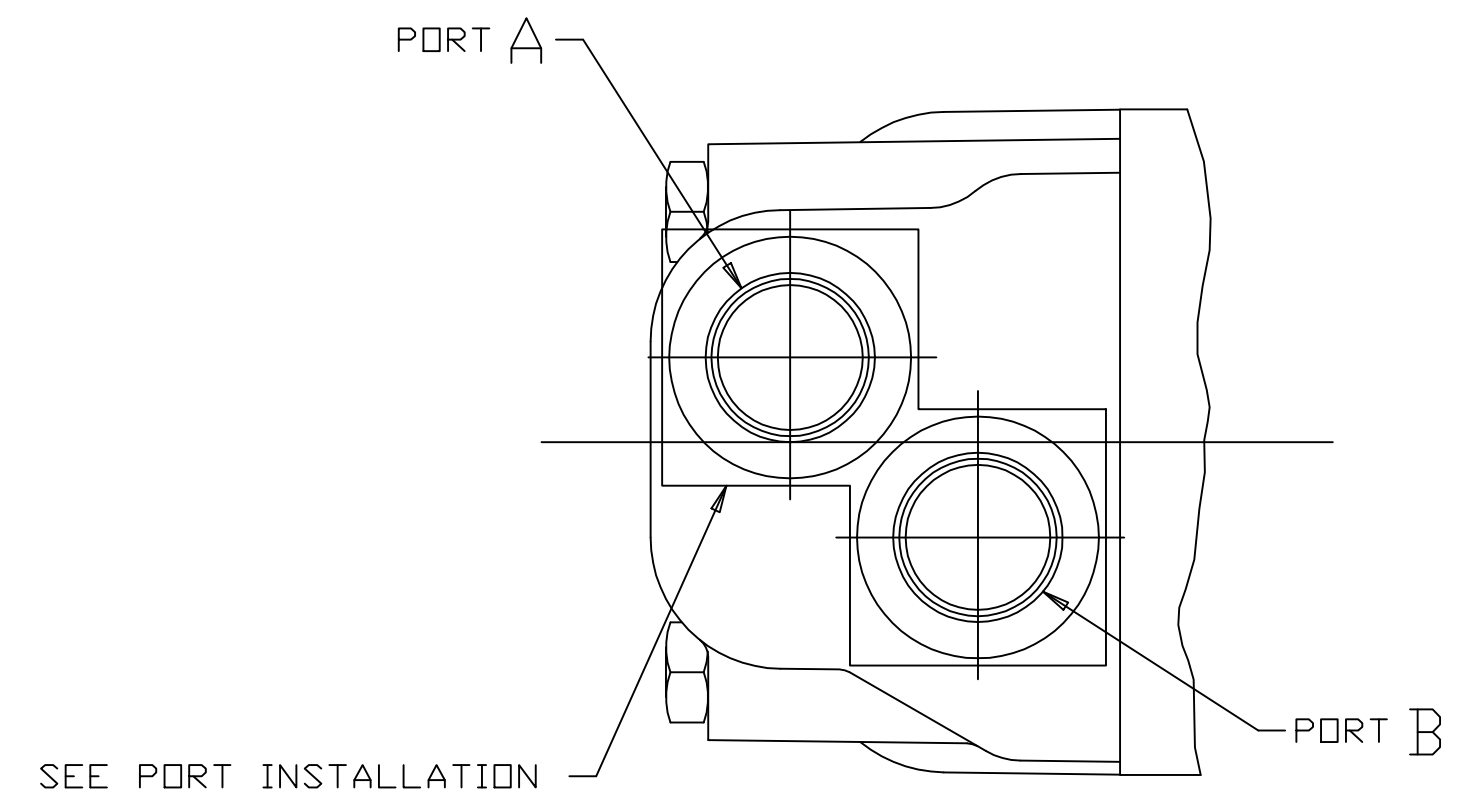
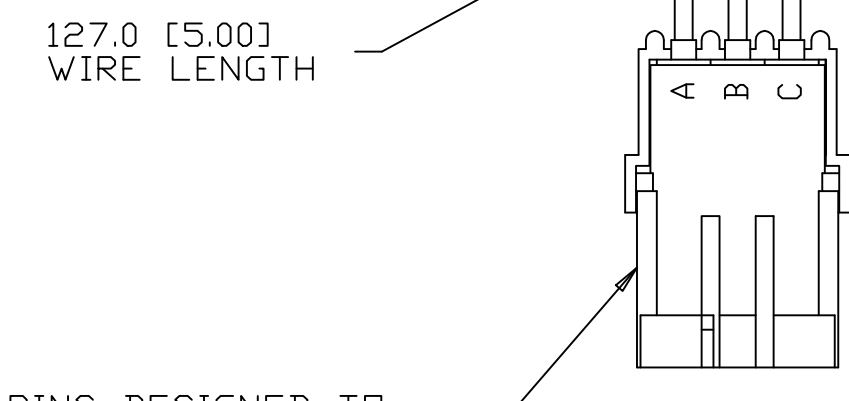


REV	DESCRIPTION	BY	CHK	DATE	ECN
A	ENGINEERING RELEASE	JMM		12-6-95	M14394
B	(5B)ADDED NOTE "ORIENTATION GROOVE..."	AGJ		10-7-99	33309
C	(4A)NOTE 2 WAS MOUNTING TYPE: J	AGJ		5-13-02	41044
D	REVISED DIMENSIONS FOR STACK UP	YUP		01-24-11	M81123
E	ADDED SEAL GUARD AND NOTE 4	VVH		06-14-21	PA1JE.B0K8F



CONNECTOR PINS DESIGNED TO MATE WITH WEATHER PACK CONNECTOR P/N 12015792
 TERMINAL P/N 12089040
 CONTACT RATINGS: 5 AMPS MAX AT 12 VOLTS
 (A=POWER, B=SIGNAL, C=COMMON)



- NOTE
- ROTATION:
 STANDARD: WHEN FACING SHAFT END OF MOTOR, SHAFT TO ROTATE; CLOCKWISE WHEN PORT "A" IS PRESSURIZED; COUNTERCLOCKWISE WHEN PORT "B" IS PRESSURIZED
 REVERSE: WHEN FACING SHAFT END OF MOTOR, SHAFT TO ROTATE; COUNTERCLOCKWISE WHEN PORT "B" IS PRESSURIZED; CLOCKWISE WHEN PORT "A" IS PRESSURIZED
 - MOUNTING TYPE: AJ
 STANDARD (MAGNET), 4 BOLT: ϕ 82.6 [3.25] PILOT ϕ 13.59 [0.535] HOLES ON ϕ 106.4 [4.19] BOLT CIRCLE 2.79 [0.110] PILOT LENGTH
 - NOMINAL SENSOR OUTPUT WILL BE 30 ELECTRICAL PULSES PER SHAFT REVOLUTION
 SUPPLY VOLTAGE: 8 TO 28 Vdc
 OUTPUT VOLTAGE: LOW .5 Vdc AT 10 mA; HIGH Vs-1 Vdc
 - SEAL GUARD APPLICABLE IF INDICATED IN PARTS LIST

UNLESS OTHERWISE SPECIFIED ALL DIMENSIONS ARE IN INCHES MILLIMETERS (ENGLISH)

TOLERANCES
 x ± ----
 xx ± REF
 xxx ± ONLY
 < ----

UNSPECIFIED RADII ARE

UNSPECIFIED DRAFT ANGLES ARE

D SIZE

DRAWING BASED ON ANSI Y14.5M-1982

THE REPRODUCTION, DISTRIBUTION, AND UTILIZATION OF THIS DOCUMENT, AS WELL AS THE COMMUNICATION OF ITS CONTENTS TO OTHERS WITHOUT EXPLICIT AUTHORIZATION IS PROHIBITED. OFFENDERS WILL BE HELD LIABLE FOR THE PAYMENT OF DAMAGES. ALL RIGHTS RESERVED IN THE EVENT OF THE GRANT OF A PATENT, UTILITY MODEL, OR DESIGN. (PER ISO 1010)

Danfoss

BROWN BY/DATE JMM 12-19-95 MATERIAL/HEAT TREAT
 CHECKED BY/DATE SDR 12-20-95
 ENGRG BY/DATE MLB 12-21-95 TITLE 2000 SERIES MOTOR INSTALLATION
 METALLURGY BY/DATE
 THIRD ANGLE PROJECTION
 DD NOT SCALE
 ARITHMETICAL AVERAGE

NUMBER A-671-010
 SCALE 1/1 SHEET 1 OF 1