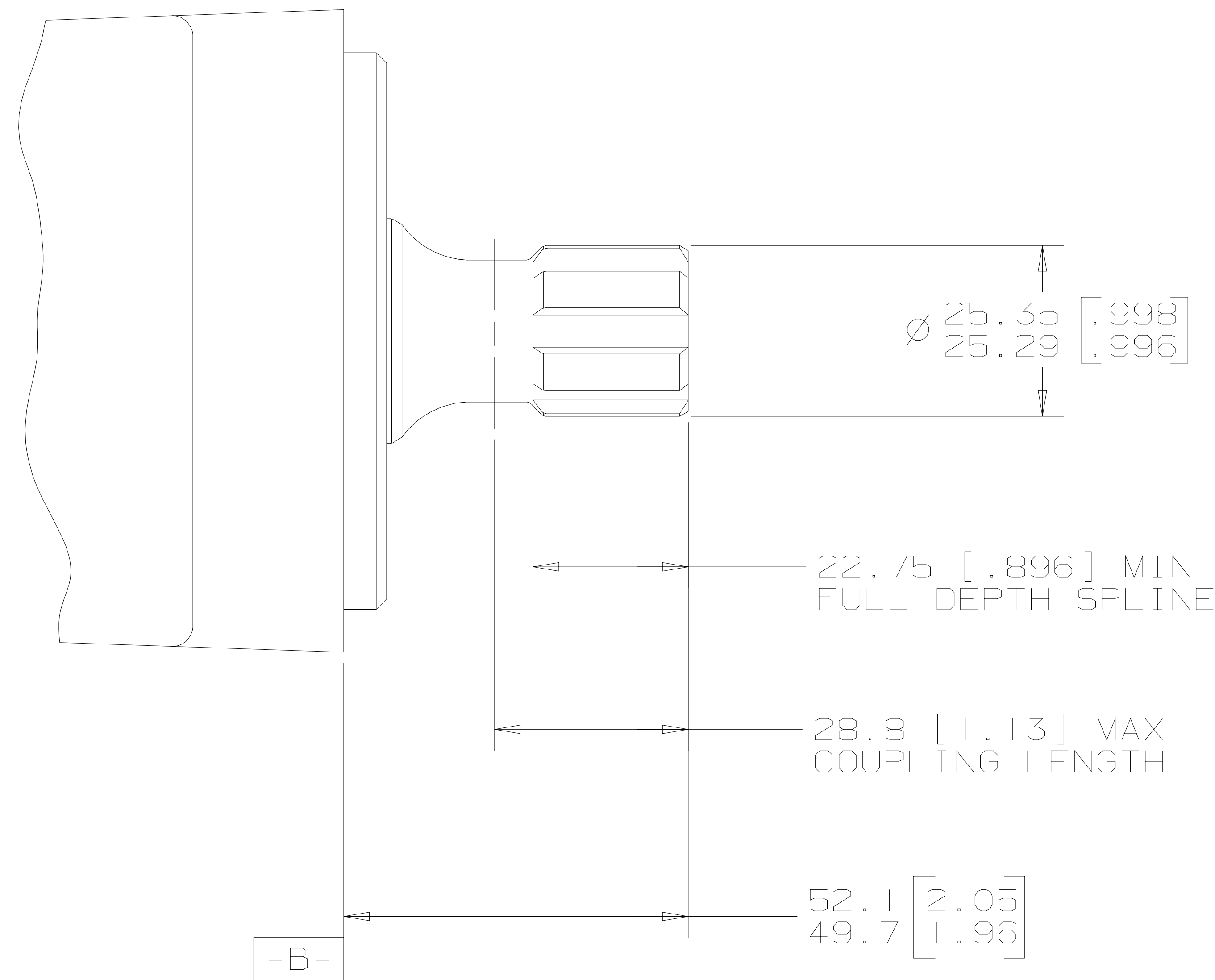
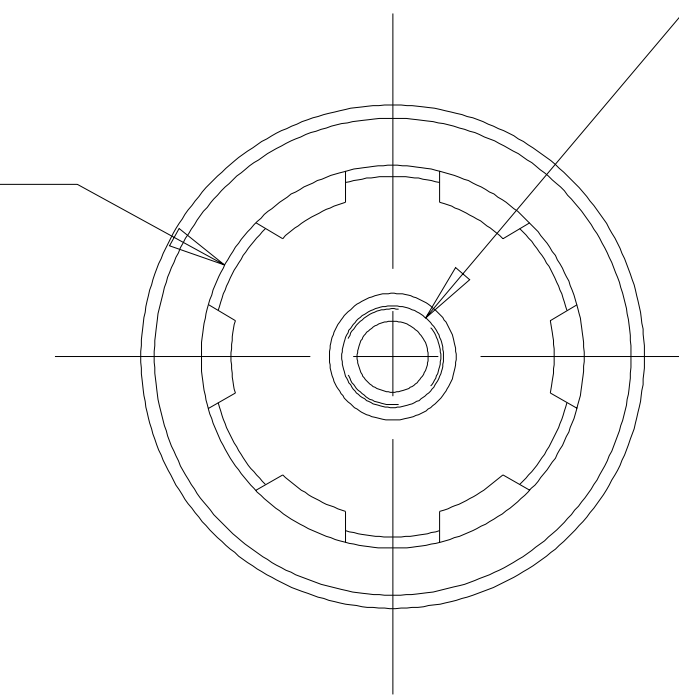


REV	DESCRIPTION	BY	DATE	ECN
A	ENGINEERING RELEASE	AGJ	5-26-93	22833
B	NOTE 1 WAS MOUNTING TYPE: OPTION C	AGJ	5-13-02	41044
C	52.1/49.7 [2.05/1.96] WAS 52.4/49.7 [2.06/1.96]	AGJ	5-17-04	47918



1/4-20 UNC-2B ∇ 15.5 [.61] MIN

SPLINE TO FIT
SAE 6B SPLINE
PER SAE J499



G K S

NOTE

- 1 MOUNTING TYPE: OPTION AC, BA & BE
- 2 OUTPUT SHAFT: OPTION 05

UNLESS OTHERWISE SPECIFIED ALL DIMENSIONS ARE IN		DRAWING BASED ON ANSI Y14.5M-1982	
INCHES <input type="checkbox"/>	MILLIMETERS [INCHES] <input checked="" type="checkbox"/>	THE REPRODUCTION, DISTRIBUTION, AND UTILIZATION OF THIS DOCUMENT, AS WELL AS THE COMMUNICATION OF ITS CONTENTS TO OTHERS WITHOUT EXPLICIT AUTHORIZATION IS PROHIBITED. OFFENDERS WILL BE HELD LIABLE FOR THE PAYMENT OF DAMAGES. ALL RIGHTS RESERVED IN THE EVENT OF THE GRANT OF A PATENT, UTILITY MODEL, OR DESIGN. (PER ISO 16016)	
TOLERANCES		DRAWN BY/DATE A. JOHNSON 3-15-93	
.X ±----	.XX ±REF	MATERIAL/HEAT TREAT	
.XXX ±ONLY	< ±----	CHECKED BY/DATE SDR 6-24-93	TITLE 2000 SERIES MOTOR SHAFT INSTALLATION
UNSPECIFIED RADII ARE		ENGRG BY/DATE SJZ 6-28-93	
UNSPECIFIED DRAFT ANGLES ARE		METALLURGY BY/DATE	NUMBER A-683-005
DRAWING FORMAT CADD <input checked="" type="checkbox"/> MANUAL <input type="checkbox"/>		THIRD ANGLE PROJECTION	SCALE 1/1
		DO NOT SCALE	SHEET 1 OF 1

Danfoss