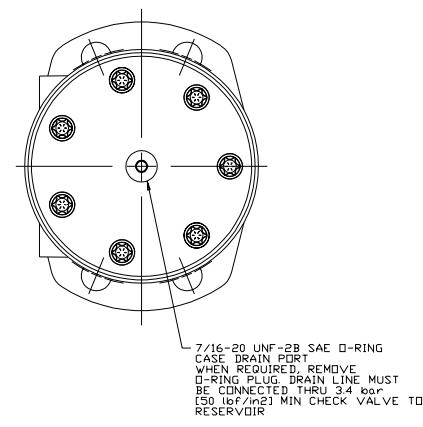
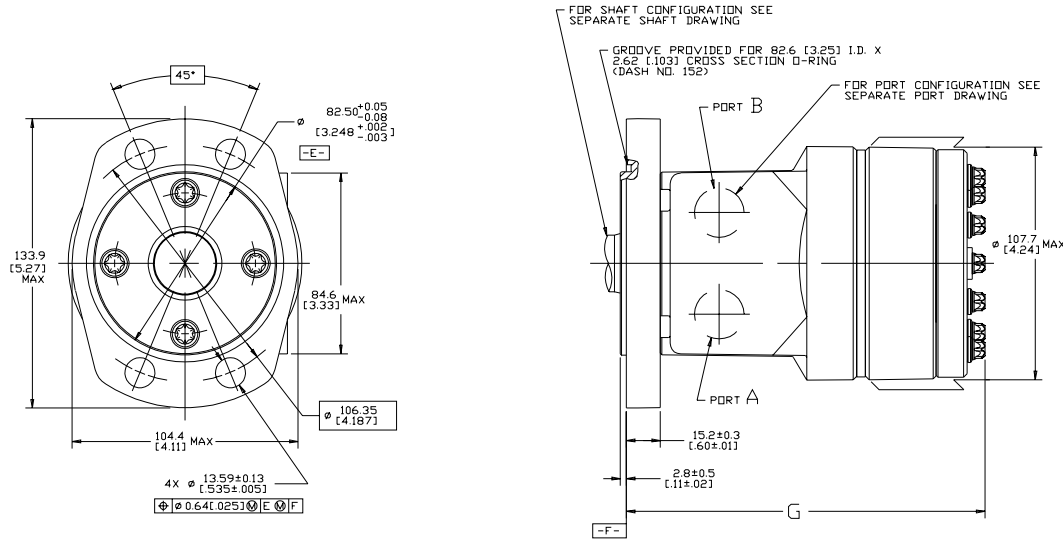


DISP. CODE	G	MAX
036	138.0	[5.43]
046	140.3	[5.52]
057	142.5	[5.61]
073	146.0	[5.75]
088	149.1	[5.87]
101	151.8	[5.98]
114	154.5	[6.08]
137	159.4	[6.28]
182	169.0	[6.66]
227	178.4	[7.02]

REV	DESCRIPTION	BY	CHK	DATE	ECN
A	ENGINEERING RELEASE	SMM		06-09-04	48257
B	-1>(8C) WAS 131.4(5.17) MAX -2>(7B) WAS 102.4(4.03) MAX	SRM		04-07-04	ECR8166
C	-1> (8A) NOTE 2 WAS MOUNTING FLANGE : "K :-...." -2> (8A) NOTE 3 WAS CASE DRAIN : 1...	TTV	CSG	04-08-16	0070053



NOTE

- ROTATION: WHEN FACING SHAFT END OF MOTOR, SHAFT TO ROTATE CLOCKWISE WHEN PORT "A" IS PRESSURIZED. COUNTERCLOCKWISE WHEN PORT "B" IS PRESSURIZED. REVERSE ; WHEN FACING SHAFT END OF MOTOR, SHAFT TO ROTATE CLOCKWISE WHEN PORT "B" IS PRESSURIZED. COUNTERCLOCKWISE WHEN PORT "A" IS PRESSURIZED.
- MOUNTING FLANGE: EA,EN = 4 BOLT MAGNETO, Ø 82.6 [3.25] 3.0 [1.12] PILOT, Ø 13.59 [0.535] MOUNTING HOLES DN Ø 106.2 [4.18] B.C.
- CASE DRAIN: 01 = 7/16-20 UNF-2B SAE O-RING PORT (END CAP)

REVIEWED FOR CLASSIFICATION PER ESP-042

UNLESS OTHERWISE SPECIFIED ALL DIMENSIONS ARE IN INCHES	DRAWING BASED ON ANSI Y14.5M-1982		
TOLERANCES	FINISH: SMM 07-02-04 SPECIAL AGJ 07-06-04	MATERIAL/HEAT TREAT	
UNSPECIFIED ANGLE ARE	SPECIAL JML 07-06-04	TITLE	S MOTOR INSTALLATION
UNSPECIFIED DRAFT ANGLES ARE	DO NOT SCALE	THIRD ANGLE PROJECTION	NUMBER A-1470-105
DRAWING FORMAT	DO NOT SCALE	METRIC/AVG	SCALE 1/1 SHEET 1 OF 1