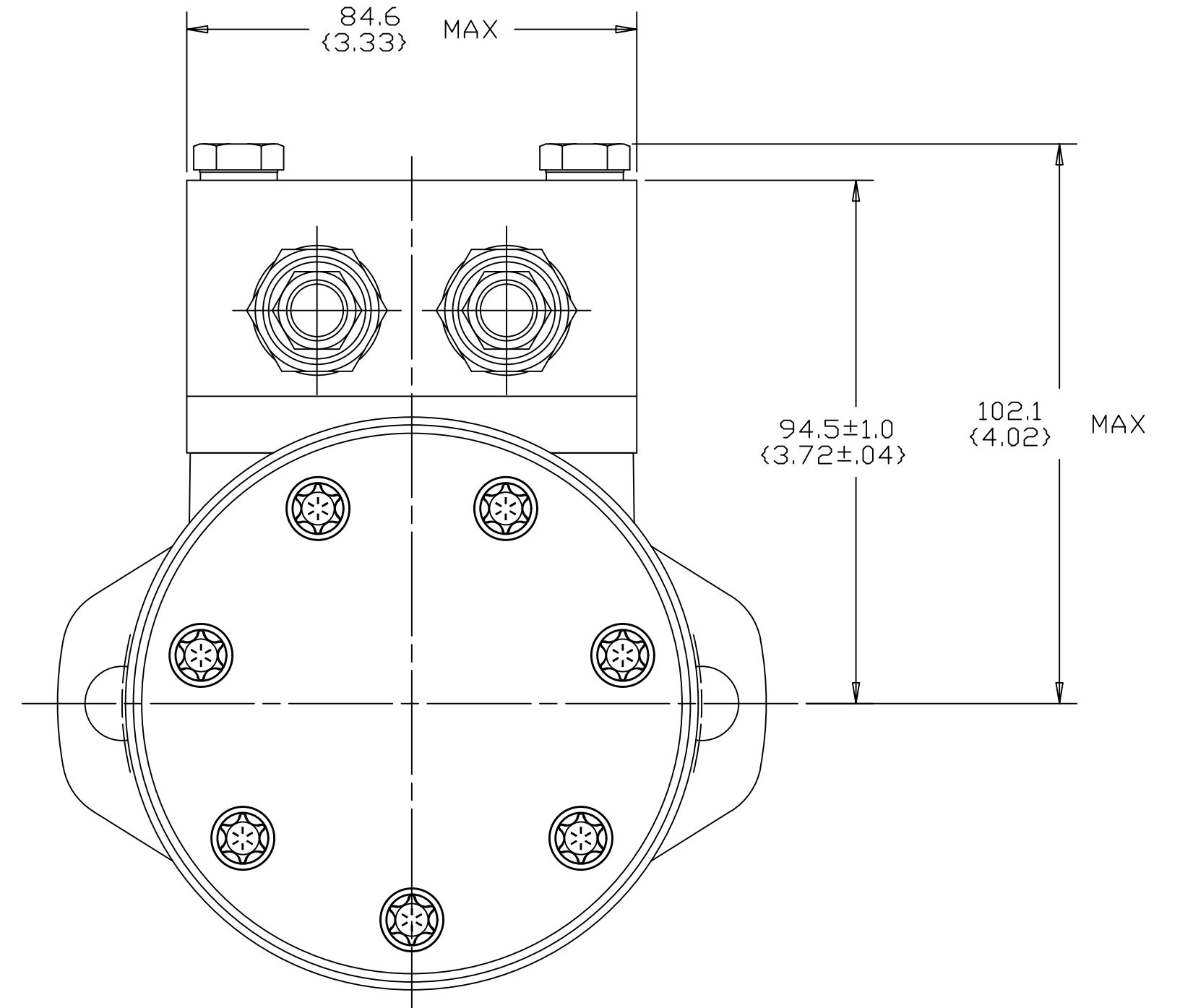
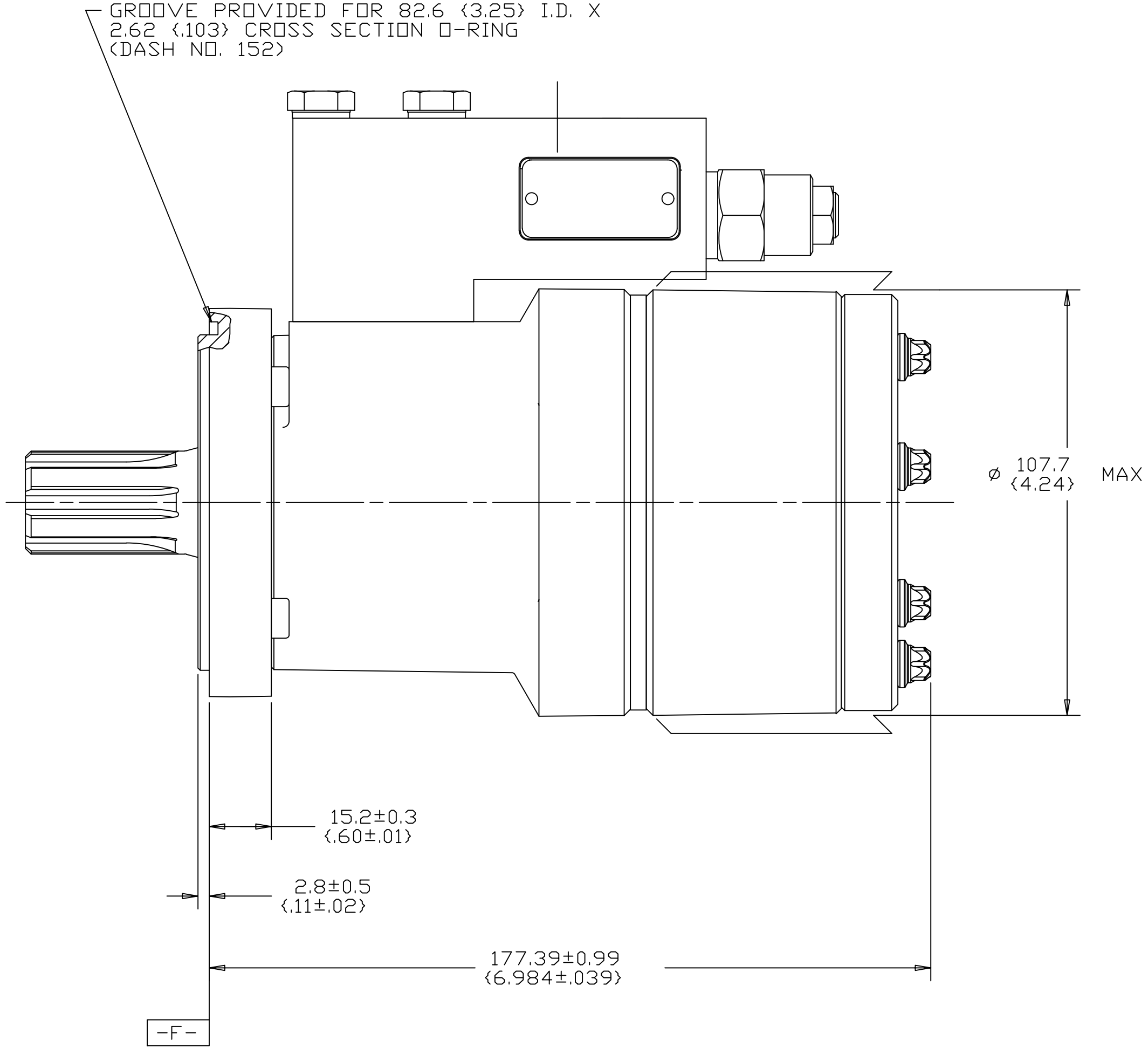
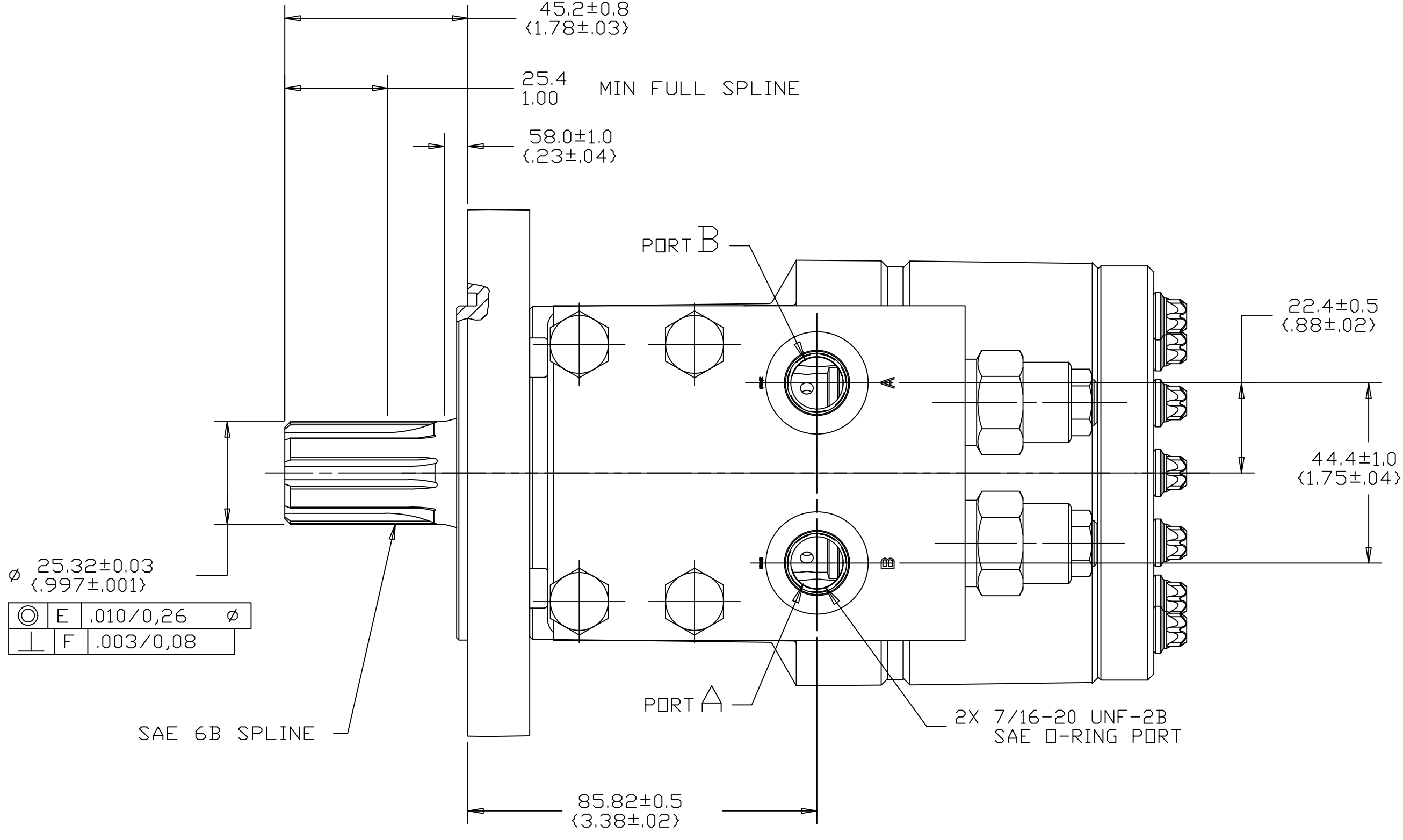
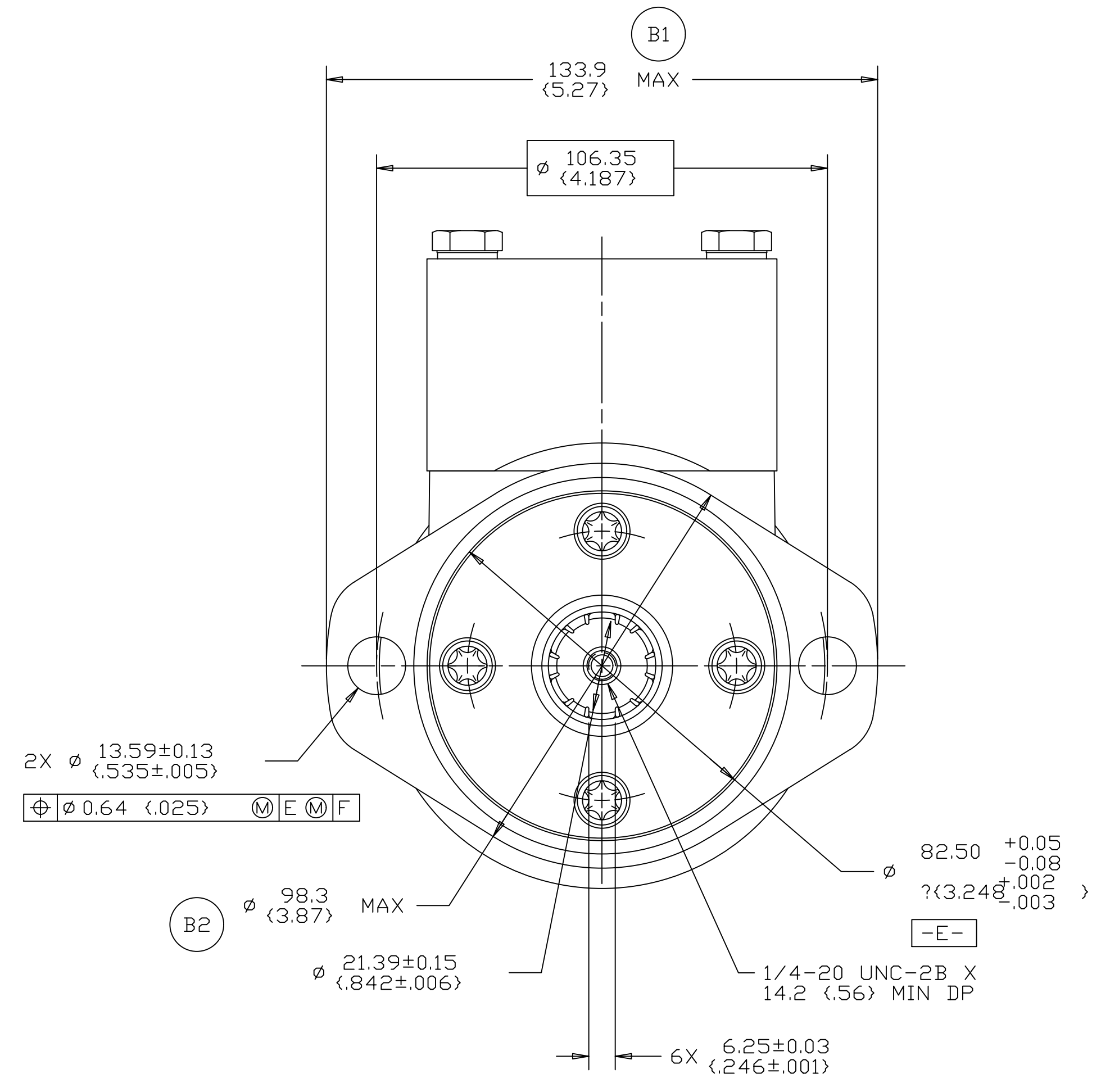


NOTE
 1 ROTATION:
 STANDARD: WHEN FACING SHAFT END OF MOTOR, SHAFT TO ROTATE CLOCKWISE WHEN PORT "A" IS PRESSURIZED COUNTERCLOCKWISE WHEN PORT "B" IS PRESSURIZED
 REVERSE : WHEN FACING SHAFT END OF MOTOR, SHAFT TO ROTATE COUNTERCLOCKWISE WHEN PORT "B" IS PRESSURIZED COUNTERCLOCKWISE WHEN PORT "A" IS PRESSURIZED

- 2 DISPLACEMENT
 227 = 371 cm³/r (22.7 in³/r)
- 3 MOUNTING FLANGE:
 A = 2 BOLT STD: $\phi 82.6$ (3.25) X 3.0 (.12) PILOT
 $\phi 13.59$ (.535) MOUNTING HOLES ON $\phi 106.2$ (4.18) B.C.
- 4 OUTPUT SHAFT
 02 = $\phi 25.4$ (1.00) SAE 6B SPLINE WITH
 1/4-20 UNC-2B THREADED HOLE
- 5 PORT TYPE
 U = .4375-20 UNF-2B SAE O-RING PORTS
- 6 CASE DRAIN:
 0 = NO CASE DRAIN

$\phi 25.32 \pm 0.03$ (.997 \pm .001)	
$\text{E } .010 / 0.26$	ϕ
$\text{F } .003 / 0.08$	



REV	DESCRIPTION	BY	CHK	DATE	ECN
A	ENGINEERING RELEASE	SMM		06-09-04	48257
B	-1<(7C) WAS 131.4<(5.17) MAX -2<(8A) WAS $\phi 96.8$ <(3.81) MAX	SRM		04-07-04	ECR8166
C	<(8D) 227 WAS 23	AMK		04/01/2015	0063145

UNLESS OTHERWISE SPECIFIED ALL DIMENSIONS ARE IN INCHES <input type="checkbox"/> MILLIMETERS <input checked="" type="checkbox"/>		DRAWING BASED ON ANSI Y14.5M-1982	
TOLERANCES X \pm ---- XX \pm ---- XXX \pm ---- < \pm ----		THE REPRODUCTION, DISTRIBUTION AND UTILIZATION OF THIS DOCUMENT AS WELL AS THE COMMUNICATION OF ITS CONTENTS TO OTHERS WITHOUT EXPLICIT AUTHORIZATION IS PROHIBITED. OFFENDERS WILL BE HELD LIABLE FOR THE PAYMENT OF DAMAGES. ALL RIGHT RESERVED IN THE EVENT OF THE GRANT OF A PATENT, UTILITY MODEL OR DESIGN. (PER ISO 16016)	
UNSPECIFIED RADII ARE ---		DRAWN BY/DATE SMM 07-02-04 MATERIAL/HEAT TREAT	
UNSPECIFIED DRAFT ANGLES ARE ---		CHECKED BY/DATE AGJ 07-06-04	
DRAWING FORMAT CADD <input checked="" type="checkbox"/> MANUAL <input type="checkbox"/>		ENGRG BY/DATE JML 07-06-04 TITLE METALLURGY --- S MOTOR INSTALLATION	
THIRD ANGLE PROJECTION DO NOT SCALE		MICROINCHES <input type="checkbox"/> MILLIMETERS <input checked="" type="checkbox"/>	
ARITHMETICAL AVERAGE		NUMBER 103-3085-012	
		SCALE 1/1 SHEET 1 OF 1	