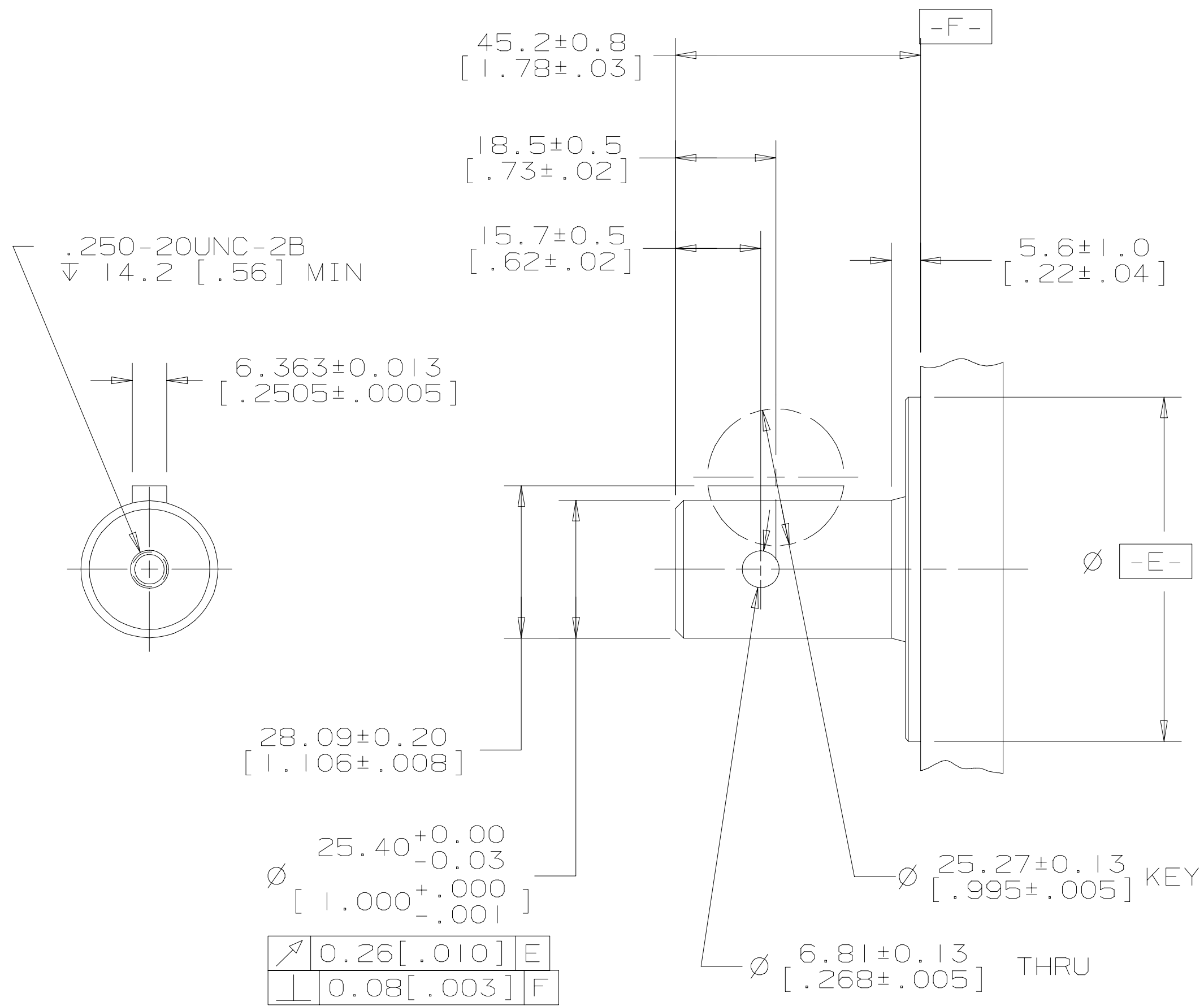


SYM	REVISION	BY	DATE	ECN
A	ENGINEERING RELEASE	RJ	6-18-92	22408



MODEL NO.
MOXXXX40XXXXXXXX

SMG

OUTPUT SHAFT

40 = 25.4[1.00] DIA. STRAIGHT WITH WOODRUFF KEY, 6.6[.26] DIA. CROSSHOLE 15.7[.62] FROM END AND .250-20 THREADED HOLE

	0.26[.010]	E
	0.08[.003]	F

UNLESS OTHERWISE SPECIFIED ALL DIMENSIONS ARE IN INCHES <input type="checkbox"/> MILLIMETERS [INCHES] <input checked="" type="checkbox"/>	DRAWING BASED ON ANSI Y14.5M-1982	
	THE REPRODUCTION, DISTRIBUTION, AND UTILIZATION OF THIS DOCUMENT, AS WELL AS THE COMMUNICATION OF ITS CONTENTS TO OTHERS WITHOUT EXPLICIT AUTHORIZATION IS PROHIBITED. OFFENDERS WILL BE HELD LIABLE FOR THE PAYMENT OF DAMAGES. ALL RIGHTS RESERVED IN THE EVENT OF THE GRANT OF A PATENT, UTILITY MODEL, OR DESIGN. (PER ISO 16016)	
TOLERANCES .X ± - .XX ± - .XXX ± - ANGLES ± -	DRAWN BY/DATE RJ 6-19-92 CHECKED BY/DATE ENGRG BY/DATE METALLURGY BY/DATE	MATERIAL/HEAT TREAT TITLE SHAFT INSTALLATION
UNSPECIFIED RADII ARE - UNSPECIFIED DRAFT ANGLES ARE -	 THIRD ANGLE PROJECTION	MICROINCHES <input type="checkbox"/> MICROMETERS [MICROINCHES] <input type="checkbox"/> NUMBER A-109-040
DRAWING FORMAT CADD <input checked="" type="checkbox"/> MANUAL <input type="checkbox"/>	DO NOT SCALE	ARITHMETICAL AVERAGE <input checked="" type="checkbox"/> SCALE 1/1 SHEET 1 OF 1

